

ARMAFLEX APPLICATION MANUAL



Armaflex®

 **armacell®**

T. +49 (0) 251 7603-0
info@armacell.com

www.armacell.com

Content

General 05

Working with Armaflex 05

Tools for installing Armaflex 05

The correct use of Armaflex adhesive 06

- Armaflex Adhesive 520 06
- Armaflex Adhesive HT625 06
- Armaflex Ultima 700 06
- Armaflex RS850 and Armaflex Ultima RS850 07
- Armaflex SF990 and Armaflex Ultima SF990 07
- Preparing for work 07
- Pipes with corrosion protection 08
- Application 08

Wet sealing butt joints 10

Outdoor use of Armaflex 11

Advice for insulating refrigeration and a/c equipment 12

Insulating stainless steel pipes 12

Pipes and Fittings 13

Insulating pipes using Armaflex tubes 13

- Cutting Armaflex tubes 13
- Insulating new pipework using sleeve-on technique 14
- Insulating existing pipework using snap-on technique 15
- Insulating pipes with Armaflex self-seal tubes 16
- Insulating pipes with Armaflex Ultima self-seal tubes 18
- Multi-layer insulation of pipework 20
- Using the Armaflex template 22
- Bend with 90° angle using Armaflex tube 22
- Bend with 45° angle using Armaflex tube 23
- Segment bend with 1 middle part - 2+1 using Armaflex tube 23
- Segment bend with 2 middle parts - 2+2 using Armaflex tube 23
- Segment bend with 3 middle parts - 2+3 using Armaflex tube 24
- Crosspiece joint using Armaflex tube 24

- Y-tube using Armaflex tube..... 25
- Swept t-piece using Armaflex tube..... 25
- T-piece using Armaflex tube 26
- Insulating coupling pipe joints..... 27**
 - Method 1: oversized 90° bend..... 27
 - Method 2: smooth finish 90° bend 27
- Angle T-piece (off-set) using Armaflex tube..... 28**
 - Method 1 28
 - Method 2 29
- Pipe reducer using Armaflex tube 30**
- Insulating pipes with Armaflex sheet 31**
- Two-part bend with Armaflex sheet 34**
- Valve insulation with Armaflex sheet 37**
- Insulating neck-T / pipe-T /spindle neck of valve with Armaflex sheet ... 39**
- Insulating valves with D-box made of Armaflex sheet 42**
- Offset angle & pipework bend angle joints 45**
- Strainers, strainer valves & inclined seat valves 47**
- Flange boxes 50**
- Concentric reducers 52**
- Excentric Reducer..... 53**
- Two-part bend made of Armaflex sheet with extension 54**
- Strainer valve insulation with Armaflex sheet..... 55**
- One-part T-piece with Armaflex sheet..... 58**
- Insulating victaulic couplings with Armaflex sheet 60**
- Insulating pumps with Armaflex sheet 62**
- Installing Armaflox insulated pipe supports..... 64**

Insulating “over” pipe supports (encapsulating)	65
Insulation of other pipe supports.....	66
• Schematic cross-section of a connection of Armaflex tubes with a clamp made of pu rigid foam	67

Ducts.....68

Insulating rectangular ducts with Armaflex sheet	68
Insulating rectangular ducts with Armaflex self-adhesive sheet	71
Insulating duct brackets with Armaflex	72
• Insulating duct brackets using Armaflex tubes.....	72
• Insulating duct brackets using Armaflex sheet.....	73
Insulating circular ducts with Armaflex sheet	74

Vessels and tanks75

Insulating vessels and tanks with Armaflex sheet.....	75
• Draw up a cutting schedule	75
• Compression joints.....	75
• Adhesion	76
• Multi-layer application.....	77
• Complex shapes	77
• Outdoor installations.....	77
Insulating small ($\varnothing < 1.5$ m) tanks and vessels using Armaflex sheet	78
Key basic application procedures for large vessels	
$\varnothing > 1.5$ m	80

Additional application advice82

Armaflex with additional metal cladding	82
Armaflex installed in the soil.....	82
Installation of Armaflex insulation on plastic pipes.....	83
References.....	84
• Insulation of stainless steel with Armaflex.....	84

- Corrosion protection in thermal and refrigeration insulation on technical operating systems..... 84
- Armaflex cold work application guidance 84
- Gluing Armaflex onto cellular glass 84
- Other application guides 84
- Calculation tools..... 84**
- ArmWin 84

Armaflex products85




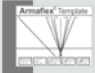




- AF/Armaflex 85
- SH/Armaflex 85
- HT/Armaflex 85
- NH/Armaflex..... 85
- Armaflex Ultima 85
- Armaflex DuoSolar 85
- Armafix pipe support..... 86
- Armaflex accessories 86








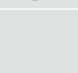
General

Working with Armaflex

- Use good quality tools, in particular a sharp knife, fresh Armaflex adhesive, cleaner and a good brush
- Oval tubes should always be split on the flat side.
- Use clean Armaflex material – with no dust, dirt, oil or water on the surface, if present clean with Armaflex cleaner.
- Use correctly dimensioned material! Never pull glued joints when sealing them, always push them together.
- Never insulate plant and systems that are in operation! Wait 36 hours before starting insulated plant - the adhesive is then fully cured.
- In general an additional use of Armaflex tape is not necessary. Self-adhesive Armaflex tape should not be used as the sole fixing for butt and longitudinal joints and seams. If required it should only be applied to joints and seams that have previously been glued with Armaflex adhesive and only after 36 hours to allow complete outgassing of the adhesive solvent.
- Armafinish 99 paint can be applied immediately after the insulation has been installed, with a second coat of paint applied within 7 days, to provide UV protection (see “Outdoor use of Armaflex” on page 11).

Tools for installing Armaflex

	Folding rule / tape measure		Straight edge
	Chalk for marking irregular shapes		Template (printed on every Armaflex carton)
	Silver ink marker pen		Scissors
	Dividers		Brushes with short, firm bristles

	Callipers		Smooth spatula
	Short knife* 75mm		Sharpened pipe ends for the most common pipe diameters
	Long knife* 300mm		Rollers for surface gluing
	Sharpening stone*		Gluemaster

* A three knife set plus sharpening stone are available together as a tool kit

The correct use of Armaflex adhesive

ARMAFLEX ADHESIVE 520

Armaflex Adhesive 520 was specially developed to bond Armaflex. It joins the surfaces reliably and safely at medium temperatures of up to +105 °C. The bond is resistant to weathering and aging.

ARMAFLEX ADHESIVE HT625

Armaflex Adhesive HT625 was specially developed to bond HT/Armaflex insulation for medium temperatures of up to +150 °C*. When using HT/Armaflex only Armaflex Adhesive HT625 should be used, but can also be used for Armacell elastomeric insulation material.

* For temperatures below -50 °C or above +150 °C, please consult our Customer Service Department.

ARMAFLEX ULTIMA 700

The standard range is rounded off by Armaflex Ultima 700 which is supplied especially for gluing Armaflex Ultima and other insulation materials based on Armaprene® synthetic rubber. This adhesive can be used in a wide temperature range from -50 °C to +110 °C.

ARMAFLEX RS850 AND ARMAFLEX ULTIMA RS850

The non-drip, contact adhesives Armaflex RS850 and Armaflex Ultima RS850 can be applied more quickly and cleanly than standard products. These thixotropic, gel-like adhesives are not stirred and are highly viscous. As they only release minimal quantities of solvents when idle, the Armaflex RS850 adhesives are particularly suitable for use in workshops and confined spaces. The one-component adhesives can be used for service temperatures between -40 and +70 °C. Compared to standard products, they also have an extended shelf-life and can be stored for 3 years (Armaflex RS850 adhesive) and 15 months (Armaflex Ultima RS850 adhesive) respectively.

While the Armaflex Ultima RS850 adhesive was specially developed for installing Armaflex Ultima, all other Armaflex products (except HT/Armaflex) can be installed using the Armaflex RS850 adhesive.

ARMAFLEX SF990 AND ARMAFLEX ULTIMA SF990

With Armaflex SF990 and Armaflex Ultima SF990 Armacell provides the first environment-friendly, solvent-free adhesives for installing elastomeric insulation materials. They are particularly suitable for installations where requirements for sustainable construction, such as LEED, DGNB etc., apply. The one-component adhesives can be used at operating temperatures between -30 and +100 °C.

The Armaflex SF990 adhesive is suitable for gluing all Armacell insulation materials based on synthetic rubber (with the exception of HT/Armaflex and Armaflex Ultima).

The Armaflex Ultima SF990 adhesive was specially developed for installing Armaflex Ultima and insulation materials based on Armaprene® synthetic rubber.

Apart from the general Armaflex installation guidelines, there are additional instructions for the use of dispersion adhesives. Practical instructions and advice from the Armacell Technical Customer Service team are absolutely essential before installation work begins!

PREPARING FOR WORK

Check condition of Armaflex adhesive. Cans of Armaflex adhesive should have been stored in a cool environment wherever possible. Cans must also have been kept free from frost.

For detailed information about transport, storage and shelf-life see the Product Data Sheet.

1. Where installation surfaces are soiled with dust, dirt, oil or water, all of these contaminants must be removed and, where applicable, the surfaces must be cleaned with Armaflex cleaner before starting work. In addition all surfaces to be joined must be dry before gluing begins.
2. Pay close attention to the installation instructions on the adhesive can. Use small cans during work so that the adhesive does not thicken too quickly. Refill from larger cans when necessary and keep closed when not in use to avoid thickening.
3. The ideal installation temperature is 15 °C to 20 °C. Do not use adhesive under 0 °C (Armaflex SF990 and Armaflex Ultima SF990: +10 °C). If the adhesive is too cold, it can be warmed in a bucket of hot water. At temperatures below 5 °C, condensation can appear on the surfaces to be glued or the adhesive film. If this occurs, it is very difficult to glue the materials.
4. Stir adhesive well after opening (except Armaflex RS850 and Armaflex Ultima RS850). If left to stand for longer periods of time, heavier components in the adhesive may settle on the bottom of the can. These must be periodically mixed thoroughly before use in order to effectively activate the adhesive.

PIPES WITH CORROSION PROTECTION

Check that the adhesive will adhere to any rust-inhibiting primer that has been used to protect pipes.

Standard Armaflex adhesives should be compatible with all coating systems based on epoxy resin or polyurethane. Armaflex adhesive may not adhere to asphalt, bitumen or red lead.

APPLICATION

1. Use a brush with short, stiff bristles and keep clean. For larger areas a (non-foam) paint roller or the Armaflex Gluemaster may be used to speed up application.
2. Always apply material under compression. Avoid tension on the seams.
3. Apply Armaflex adhesive thinly and evenly onto both surfaces to be glued.

4. When adhering Armaflex to other materials (e.g. metal), first apply the adhesive to the Armaflex and then to the other clean surface.
5. Allow the adhesive to 'tack dry'. The time required will vary according to the ambient conditions. The correct initial drying time may be determined by the 'fingernail test': touch the surface with a fingernail, if the fingernail does not adhere to the surface and the surface itself does not feel tacky, the joint may be closed. The maximum adhesive force will be obtained when two tack-dry surfaces are brought together.
6. The glued surfaces should be pressed together, not stretched. Do not leave glued seams on the top of the insulation in external locations. When working outdoors, always turn the glued seams away from the sun.
7. When gluing joints under compression, with no gaps present, the wet adhesive method should be used. Pull the seam apart slightly and apply Armaflex adhesive thinly and evenly with the brush to both surfaces and press together. No open time is needed in this case.
8. Use Armaflex cleaner to clean your tools, contaminated metal surfaces and surfaces where talc has been applied..
9. Curing time for Adhesive 520 / 625 / Armaflex Ultima 700: 36 hours.
Armaflex RS850 and Armaflex Ultima RS850: 24 hours. Armaflex SF990 and Armaflex Ultima SF990: 72 hours.

Note: Do not use Armaflex cleaner to thin adhesives. To make the adhesive easier to apply in cold environments, warm it over a bowl of hot water.

APPLICATION IN HOT AND HUMID ENVIRONMENTS

High atmospheric humidity and high temperatures lead to faster evaporation of the solvent in Armaflex adhesive. This means that a film of moisture may appear on the surface of the adhesive. Consequently the reliability of the adhesive seam cannot be assured as the surfaces to be joined may not bond together.

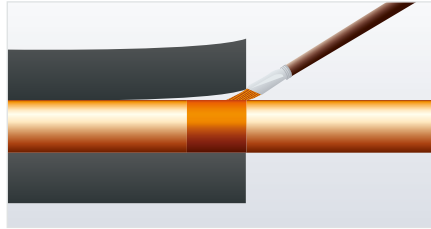
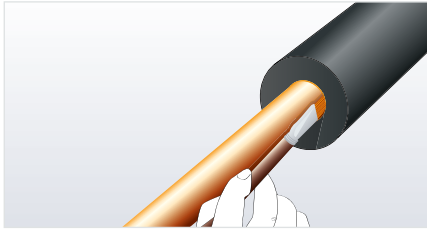
Under these conditions, the following points may be observed as an alternative to our installation instructions:

- Apply Armaflex adhesive as normal in a thin uniform film on both surfaces.
- Unlike normal bonding, the surfaces to be glued should be held together under pressure whilst wet.

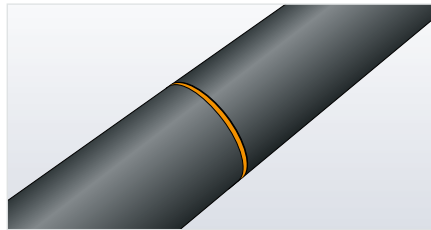
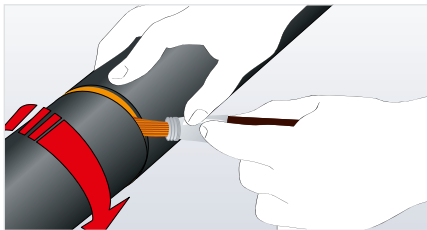
Note: Due to the shorter curing time, adhesive can only be applied to a limited area at a time. Depending on the atmospheric humidity, temperature, material thickness and practical installation conditions, we recommend a tube length of around 1 m as a guideline.

- To avoid tension within the material and prevent the trapped solvent opening the seam, seams should be held in place with Armaflex adhesive tape immediately after gluing. Apply the adhesive tape at right angles to the glued seam every 20 cm or so.

Wet sealing butt joints



1. On all cold lines, use Armaflex adhesive to glue the ends of the Armaflex sheets/tubes to the pipe surface.
2. The adhesive should be applied in a width at least equal to the insulation thickness.

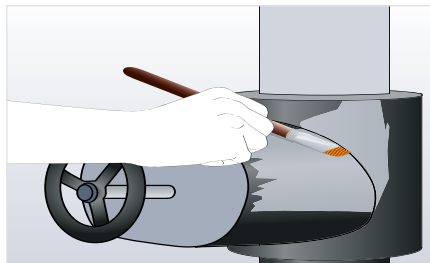


3. For the final wet sealing of the tube/sheet, use fingers to pull the joint apart and apply a thin, even film of adhesive to the two butt joint edges with a small brush.
4. Apply firm and even pressure to the glued joint using fingers and thumbs to finish.

Note: In addition, it is highly recommended that this procedure is followed for all other types of hot pipes located outdoors.

Outdoor use of Armaflex

Whenever used Armaflex (with the exception of HT/Armaflex) must either be painted, covered or clad.

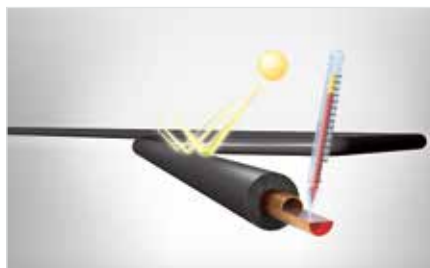


Armafinish 99 is a water-based protective paint. To provide UV protection, two complete coats must be applied.

The first coat can be applied immediately after the insulation has been installed. The second coat should be applied within 7 days.

Normal consumption

	l / m ²	m ² / l	wet film / mm	dry film / mm
1st coat	0.275	3.6	0.275	0.13
2nd coat	0.275	3.6	0.275	0.13
Total	0.550	1.8	0.550	0.26



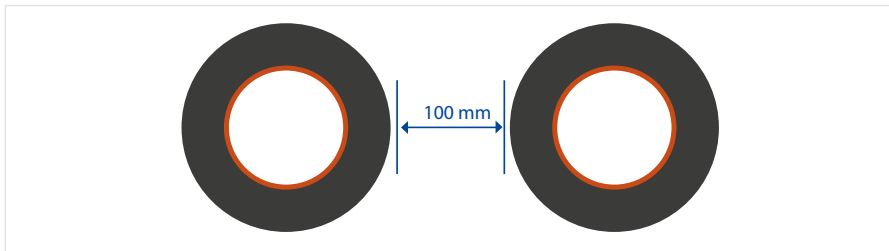
The UV-resistant **HT/Armaflex** can be used for outdoor applications without any additional UV-protection.

If additional mechanical protection or protection against severe weather conditions is required, **Arma-Chek covering systems** offer a non-metallic cladding option. For installation details please see the Arma-Chek installation manuals.



Advice for insulating refrigeration and a/c equipment

- Surfaces of pipes and tanks must be sufficiently protected against corrosion before installing Armaflex. In general anti-corrosion systems based on an epoxy and polyurethane resin are compatible with Armaflex adhesives. See the section “Pipes with corrosion protection” for more details on compatibility.
- In the case of conventional insulation systems, slight damage to the water vapour barrier can allow moisture to permeate throughout and underneath the insulation material. When using Armaflex, this can easily be prevented by attaching each end of the Armaflex tube to the pipe with Armaflex adhesive, and making sure the adhesive joints are firm at critical points such as flanges, T-sections, elbows, supports, etc.
- By regularly adhering Armaflex to the pipe in this way, the insulation system can be compartmentalised. Damage will therefore be limited to the specific section and can easily be detected.
- All connected items of equipment should be insulated with an equal thickness where practical.
- Never insulate chilled-water lines or refrigeration equipment if the sections to be insulated are too close together. Sufficient space should be allowed between insulated objects to ensure free convection, as air movement by free convection provides an additional safeguard against condensation on cold pipes.



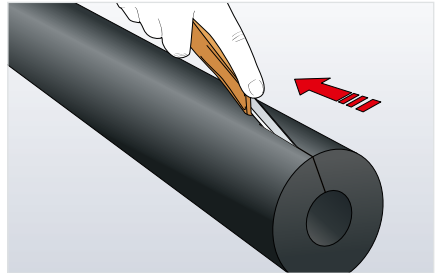
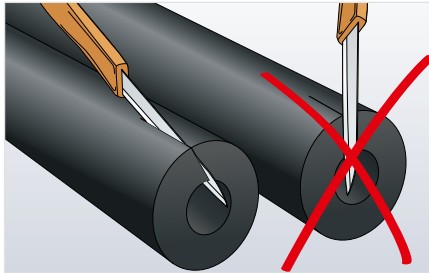
Insulating stainless steel pipes

When insulating stainless steel with Armaflex please consult our Customer Service Department.

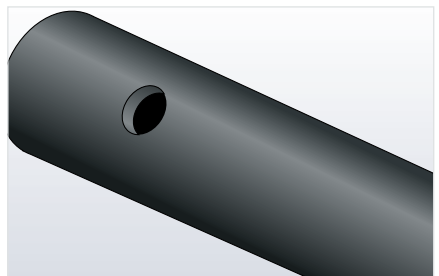
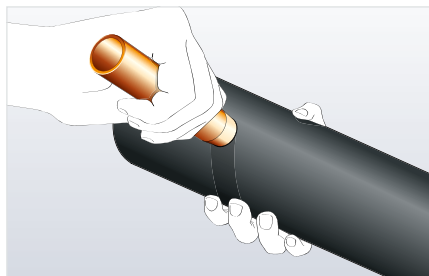
Pipes and Fittings

Insulating pipes using Armaflex tubes

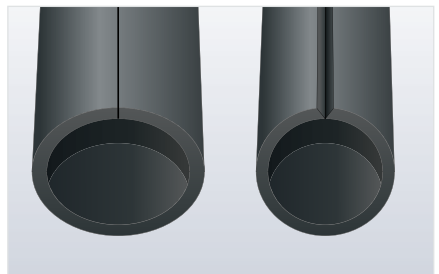
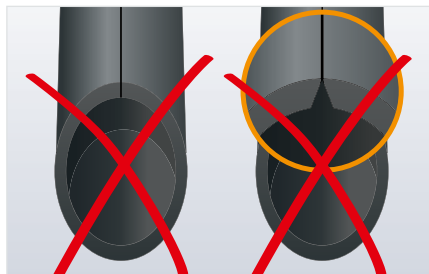
CUTTING ARMAFLEX TUBES



Use a sharp knife. Keep knife at a low angle when slitting tube



Use sharpened off-cuts of pipes to make holes.



Always cut on the flat sides of tubes.

INSULATING NEW PIPEWORK USING SLEEVE-ON TECHNIQUE

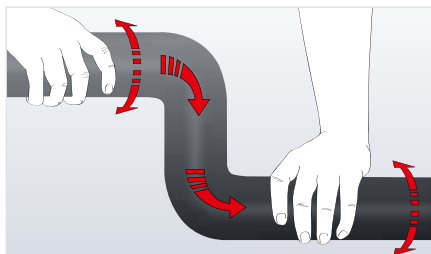
In principle, tube material can simply be slid round bends.

However, with tight bends (such as those likely to be encountered on small bore pipes) there is a risk that the insulation will kink in the throat of the bend, reducing insulation thickness.

In the refrigeration/air-conditioning sector the calculated insulation thickness is then no longer achieved and condensation can occur on the surface of the insulation. When installing tubes with a self-adhesive seal, there is the additional risk of compression of the adhesive lining in the bend area, which can lead to seams coming apart.

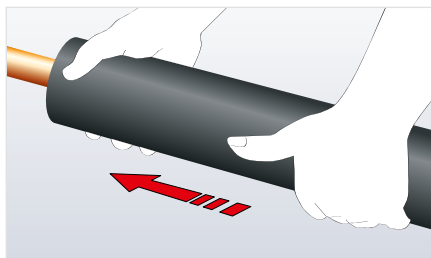
The following should be taken into account in these cases:

If the insulation kinks and the adhesive seam is compressed, the bends should be cut into segments to fit (see "Segment bend with 1 middle part - 2+1 using Armaflex tube" on page 23). In such cases we only recommend the use of standard, non self-adhesive, tubes.

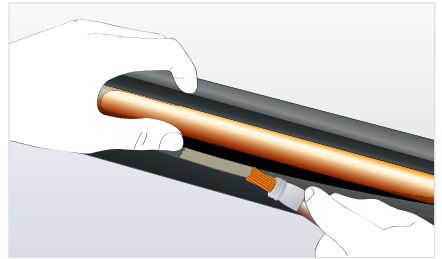
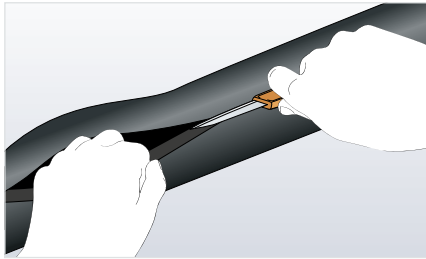


Note: Do not attempt to pull the Armaflex tube along the pipe as this may cause the insulation to tear.

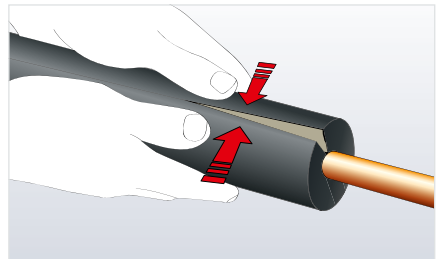
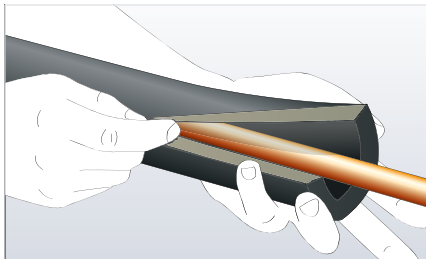
Always push the Armaflex tube over the pipe as shown.



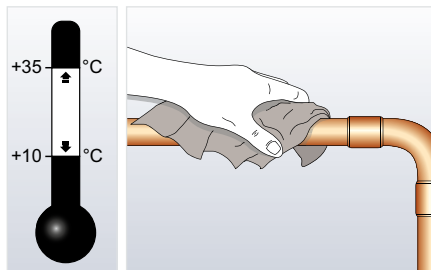
INSULATING EXISTING PIPEWORK USING SNAP-ON TECHNIQUE



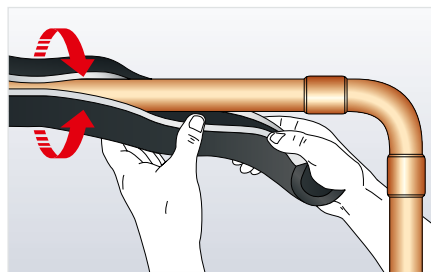
1. With a sharp knife, slit the flat part of the unslit tube along the entire length.
2. Place the slit tube onto the clean pipe; apply a thin, even film of Armaflex adhesive to the two cut edges using a short bristle brush. Apply the adhesive along the tube length.



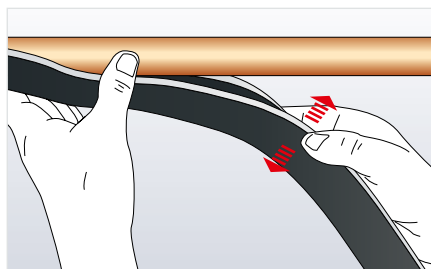
3. Allow the adhesive to touch dry, test with the fingernail.
4. Free the seams from the pipe where applicable, align the edges and press the seam detail with firm, even pressure to finish.

INSULATING PIPES WITH ARMAFLEX SELF-SEAL TUBES

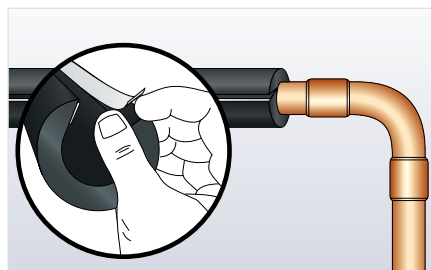
Clean all dust, dirt, oil and water from pipework using Armaflex Cleaner where necessary. Install Armaflex when ambient temperature is between +10 and +35 °C.



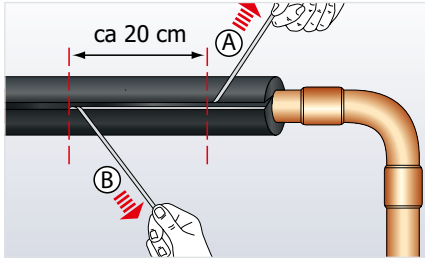
Open pre-slit Armaflex and snap onto pipe (the release paper is still protecting the self-adhesive strip)



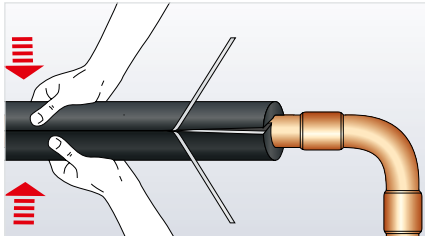
Adjust fitted Armaflex to ensure slit is easily accessible.



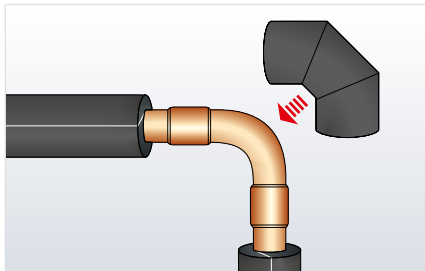
Locate the end of white release paper for the self-seal strip.



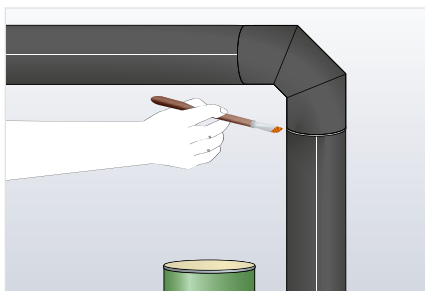
Remove the white protection paper strip on both sides, by drawing it away from the insulation. Please note: remove protective release paper strip from both sides!



Close the slit seam and press together firmly to ensure a permanent seal.

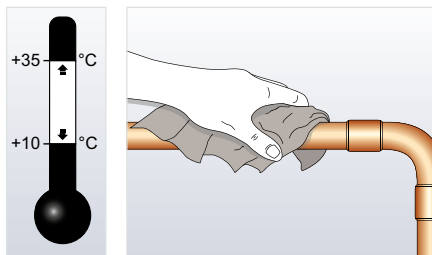


Insulate all other straight pipe sections following the procedure described previously. Finally, insulate all elbows, T-pieces etc. (see "Segment bend with 1 middle part - 2+1 using Armaflex tube" on page 23)

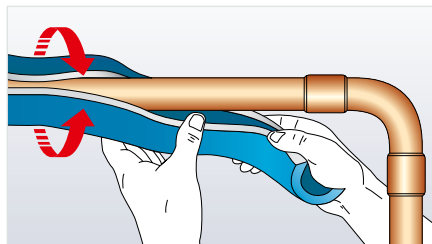


Note: In principle, tube material can simply be slid over bends. However, with tight bends in pipes (small radius) there is a risk that the insulation will kink in the throat of the bend, reducing insulation thickness. In the refrigeration/air-conditioning sector the calculated insulation thickness is then no longer achieved and condensation can occur on the surface of the insulation. When installing Armaflex self-seal tubes

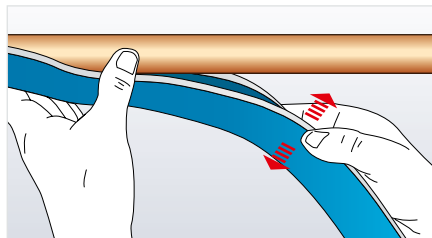
there is the additional risk of compression of the adhesive lining in the bend area, which can lead to seams coming apart. The following should be taken into account in these cases: If the insulation kinks and the adhesive seam is compressed, the bends should be cut into segments to fit.

INSULATING PIPES WITH ARMAFLEX ULTIMA SELF-SEAL TUBES

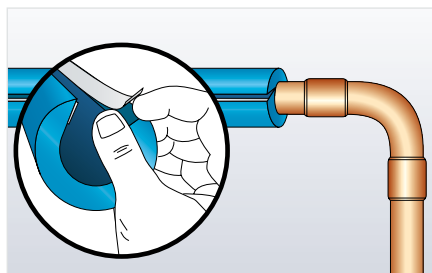
Clean all dust, dirt, oil and water from pipework using Armaflex Cleaner where necessary. Install Armaflex when ambient temperature is between +10 and +35 °C.



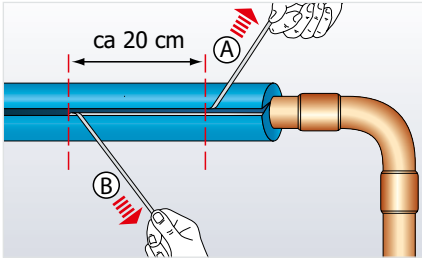
Open pre-slit Armaflex and snap onto pipe (the release paper is still protecting the self-adhesive strip)



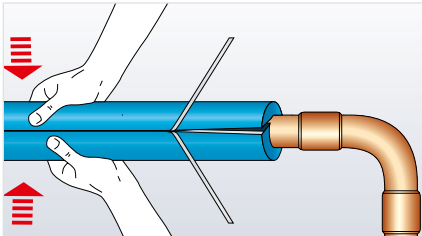
Adjust fitted Armaflex to ensure slit is easily accessible.



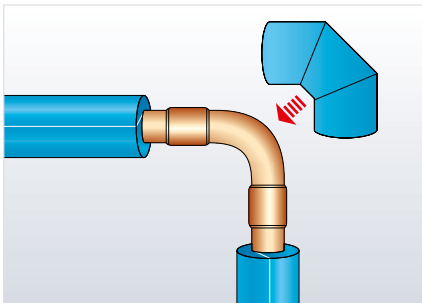
Locate the end of white release paper for the self-seal strip.



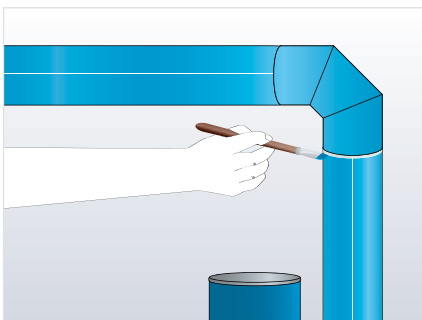
Remove the white protection paper strip on both sides, by drawing it away from the insulation. Please note: remove protective release paper strip from both sides!



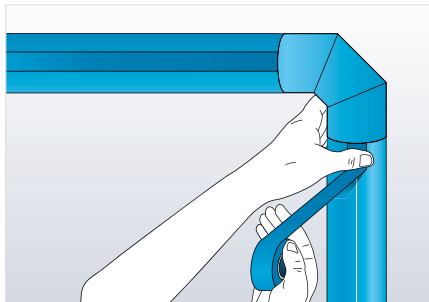
Close the slit seam and press together firmly to ensure a permanent seal.



Insulate all other straight pipe sections following the previous described procedure. Finally insulate all elbows, T-pieces etc. (see "Segment bend with 1 middle part - 2+1 using Armaflex tube" on page 23)



Seal all joints with Armaflex Ultima adhesive. Do not stretch when sealing joints. When gluing joints under compression, with no gaps present, the wet adhesive method should be applied.



For additional security it is necessary to secure the longitudinal joints of Armaflex Ultima self-adhesive tubes with an additional Armaflex Ultima self-adhesive tape. Ensure that the surface is clean, dry and free from contamination, if necessary please clean it with Armaflex Cleaner.

MULTI-LAYER INSULATION OF PIPEWORK

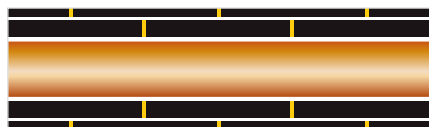
Staggering on pipework: cross-section view



Multi-layer insulation with tubes

The inner diameter of the second oversize tube should be selected according to the maximum outer diameter of the first layer.

Staggering on pipework: longitudinal view



yellow lines indicate glued seams

Multi-layer insulation as a combination of tubes and sheets

If the outer diameter of the first layer is large enough (see “Insulating pipes with Armaflex sheet” on page 31), we recommend that the second layer is made with sheet material, since this can be adapted exactly to the outer diameter of the first layer.

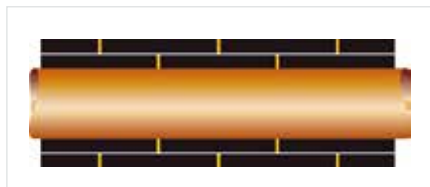
Multi-layer insulation of pipework with sheets

In general the insulation of pipes with sheet material is possible at an outer diameter of 89 mm. Select layer insulation thickness combinations as appropriate depending on the outer diameter of the object (see “Insulating pipes with Armaflex sheet” on page 31).

Note: The ends of the tube or sheet of the second layer should be adhered to the first layer of Armaflex. If there is a risk of the insulation on the underside of the pipe sagging, it should be fully adhered to the underlying layer. When the piping diameter is above 600 mm, all-over adhesive coverage is necessary on both surfaces.

To prevent corrosion under the insulation (CUI), all-over adhesive coverage is recommended.

Multi-layer insulation of flat surfaces with sheets

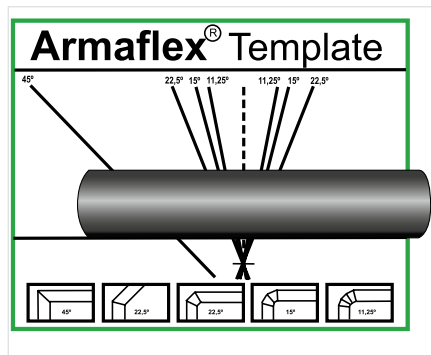


Yellow lines indicate glued seams

In the case of multi-layer insulation, the first layer should be applied using all-over adhesive coverage. The second layer should be adhered to the previous layer of Armaflex. Insulation on the underside of flat objects should be applied using all-over adhesive coverage for all

layers. In general the butt joints and the longitudinal seams of the second layer should be staggered to those of the first layer.

USING THE ARMAFLEX TEMPLATE

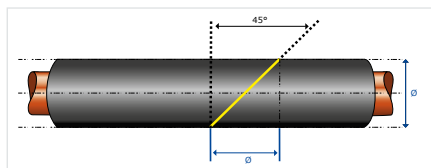


The fabrication of bends and tees using Armaflex tube material requires tubes to be cut to different angles. In order to make this process easier and quicker, the Armaflex template is provided on every box of Armaflex.

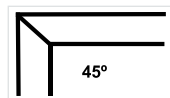
1. Place a copy of the Armaflex template face up on a table or worktop.
2. Align an Armaflex tube across the template parallel to the horizontal base line.
3. Select the required angle cut from the template and cut along this line.

Additional copies of the Armaflex template on hard PVC sheet are available on request (contact your local Armacell representative for more information).

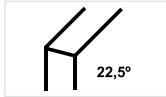
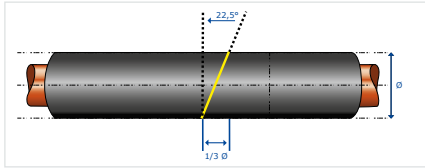
BEND WITH 90° ANGLE USING ARMAFLEX TUBE



Note: Yellow lines indicate where cuts are to be made. For correct angle measurements please use the Armaflex template located on each tube box.



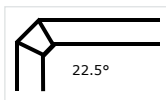
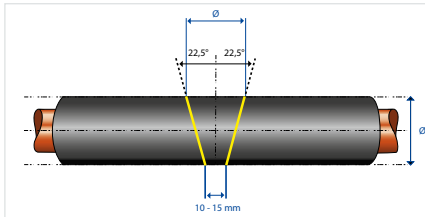
BEND WITH 45° ANGLE USING ARMAFLEX TUBE



* The \emptyset details to achieve the 45° angle are approximate values!

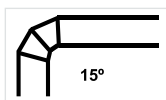
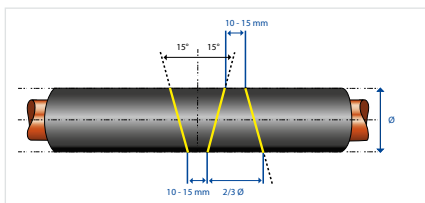
Note: Yellow lines indicate where cuts are to be made. For correct angle measurements please use the Armaflex template located on each tube box.

SEGMENT BEND WITH 1 MIDDLE PART - 2+1 USING ARMAFLEX TUBE



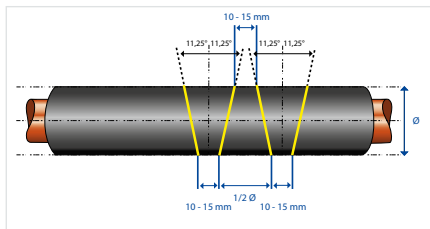
Note: Yellow lines indicate where cuts are to be made. For correct angle measurements please use the Armaflex template located on each tube box.

SEGMENT BEND WITH 2 MIDDLE PARTS - 2+2 USING ARMAFLEX TUBE

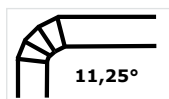


Note: Yellow lines indicate where cuts are to be made. For correct angle measurements please use the Armaflex template located on each tube box.

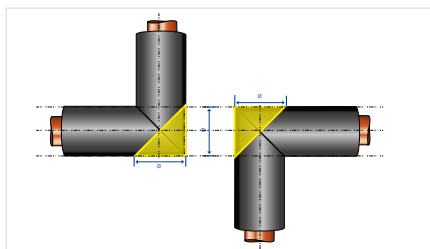
SEGMENT BEND WITH 3 MIDDLE PARTS - 2+3 USING ARMAFLEX TUBE



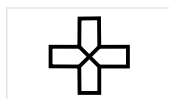
Note: Yellow lines indicate where cuts are to be made. For correct angle measurements please use the Armaflex template located on each tube box.



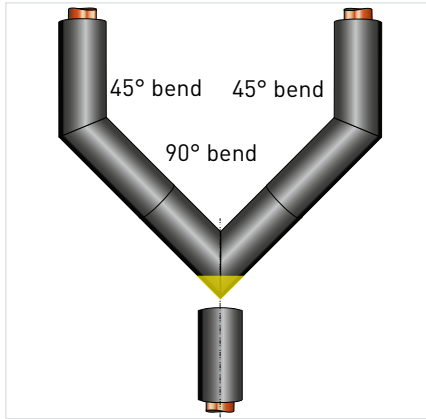
CROSSPIECE JOINT USING ARMAFLEX TUBE



Note: Yellow lines indicate where cuts are to be made. For correct angle measurements please use the Armaflex template located on each tube box.

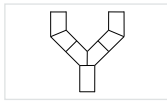


Y-TUBE USING ARMAFLEX TUBE

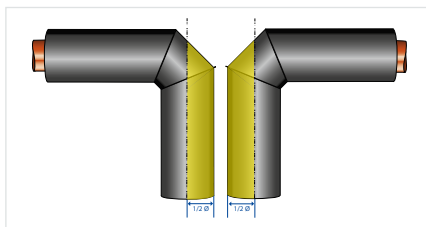


Note: Yellow lines indicate where cuts are to be made. For correct angle measurements please use the Armaflex template located on each tube box.

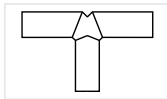
Further fabrication of the 45° bend (two) and the 90° bend (one).



SWEPT T-PIECE USING ARMAFLEX TUBE



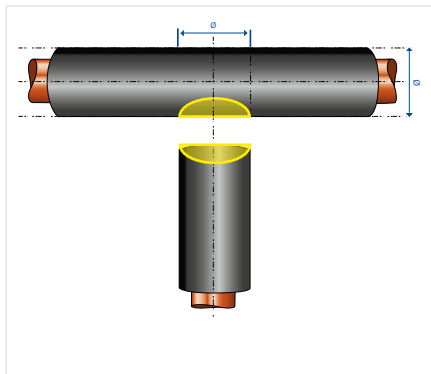
Note: Yellow lines indicate where cuts are to be made. For correct angle measurements please use the Armaflex template located on each tube box.



T-PIECE USING ARMAFLEX TUBE

Method 1 - The "Punched Hole" T Piece

Note: Yellow lines indicate where cuts are to be made.



1. Punch a hole in the tube with a sharpened section of a copper pipe of the right diameter, forming the crossbar of the "T"

Note: For larger hole cut-outs use a pair of dividers to "mark out" and cut using a small sharp knife.

2. Slit this section of the tube open (half through the hole) and slid it over the pipe

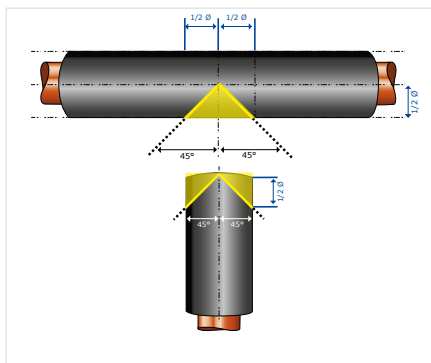
3. Cut a semi-circular recess in the

end of the branch section of tube. It is better to have a cut which is a little to deep rather than to shallow

4. Attach the branch section to the pipe and join the two halves of the "T". Adhere all seams with armaflex adhesive

Method 2 "Mitre-Block" T-Piece

Note: Yellow lines indicate where cuts are to be made.

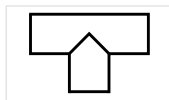


1. Cut two 45° angles at the end of the tube section for the branching pipe as shown, using either a mitre block or the Armaflex template

2. Cut a 90° wedge into the tube section covering the primary pipe. This should correspond to the outer diameter of the branching tube.

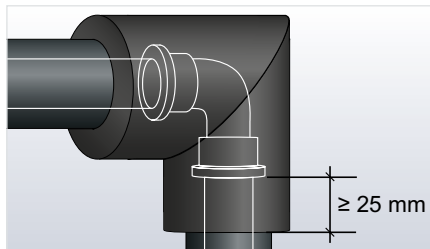
3. Join pre-cuts parts with adhesive to form a "T"

4. Slit the formed piece sideways with a sharpened knife, apply adhesive to seams, fit when tack dry



Insulating coupling pipe joints

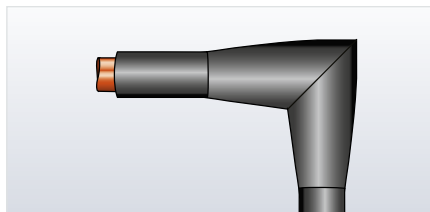
METHOD 1: OVERSIZED 90° BEND



Insulate up to the pipe fitting using Armaflex tube and secure to the pipe using adhesive

1. The fitting cover is made from tube the bore od which is the O.D. of the incoming tube. Provide a minimum overlap of 25 mm on each side (increase the distance of the overlap to match the insulation wall thickness if this exceeds 25 mm). The fitting may be made up using any of the methods described on page (see "Bend with 90° angle using Armaflex tube" on page 22).
2. Slit in the throat, apply adhesive to seams, fit when tack dry. Wet seal overlaps.

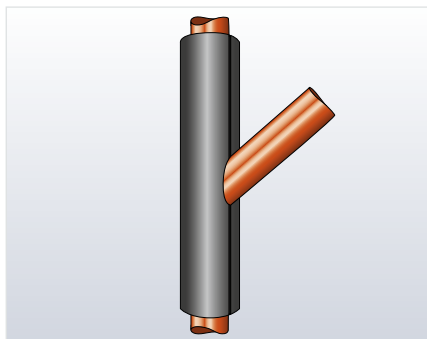
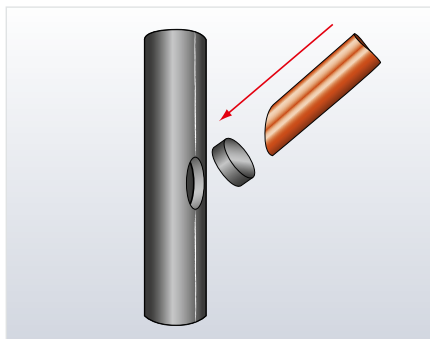
METHOD 2: SMOOTH FINISH 90° BEND



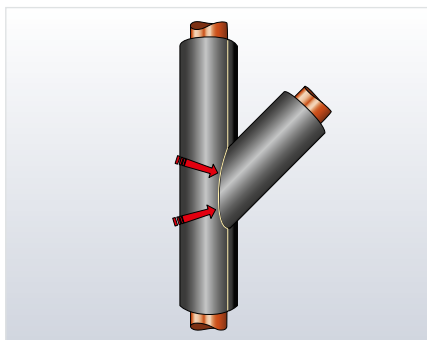
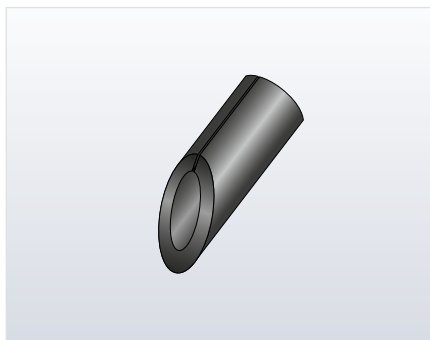
1. The fitting cover is made from tube material, the inner diameter of which corresponds to the maximum outer diameter of the screwed fitting. Provide at least a 40 mm overlap beyond the end of the fitting on each side.
2. For pipes up to 35 mm, cut two wedge-shaped pieces at 180° to each other, from top and bottom centres, at each end of the fitting. For large inner diameter tubes cut four wedges, one at each 90° around the circumference. The wedges should taper back to the points where the fitting would start and be sized so that the inner diameter of the Armaflex reduces to the outer diameter of the incoming pipe. Glue the seams on the reducing sections.
3. Slit in the throat, apply adhesive, allow to tack dry, then fit. To complete, wet seal butt joints with Armaflex adhesive.

Angle T-piece (off-set) using Armaflex tube

METHOD 1



1. Using a sharpened section of copper pipe of the correct diameter, punch a hole in the tube used to cover the main pipe. Make sure that the angle corresponds to that of the branch pipe.

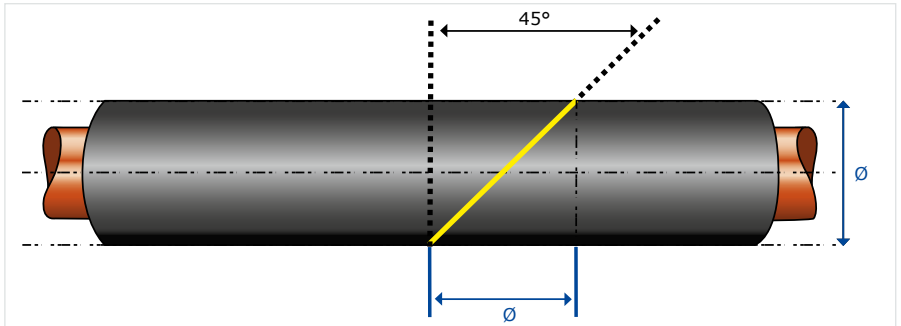


2. Cut a 45° angle at the end of the tube sections for the branch pipe. Parallel to the cut, use a sharpened knife to cut a semi-circular recess in the end of the branch section of tube. It is better to have a cut which is slightly too deep rather than slightly too shallow.
3. Glue both pieces together using Armaflex adhesive.
4. Slit the shaped piece, apply adhesive to seams and fit when tack dry.

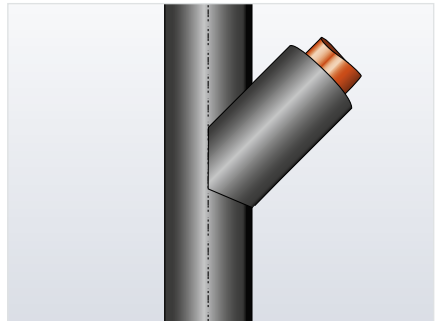
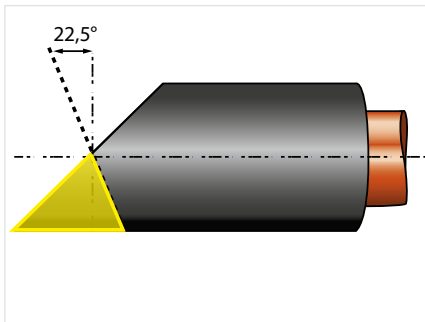
METHOD 2

Note: Yellow lines indicate where cuts are to be made. For correct angle measurements please use the Armaflex template located on each tube box.

1. Make a 45° cut as shown above

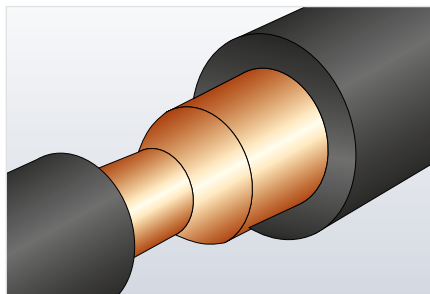


Note: Yellow lines indicate where cuts are to be made. For correct angle measurements please use the Armaflex template located on each tube box.

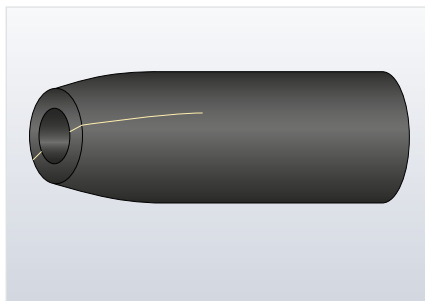
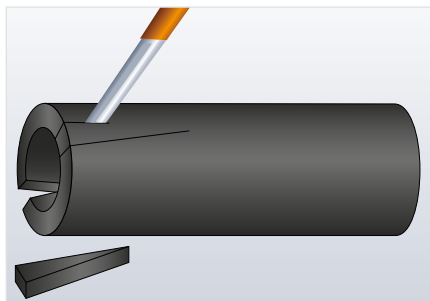


2. Use the piece of the tube with the 45° angle, mark a 22.5° angle and cut off as shown above.
3. Chamfer the inside of the tube where it touches the insulation around the straight pipe.
4. Wet seal all seams.

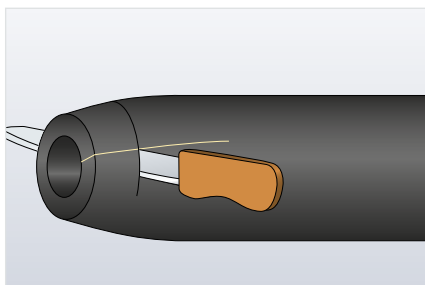
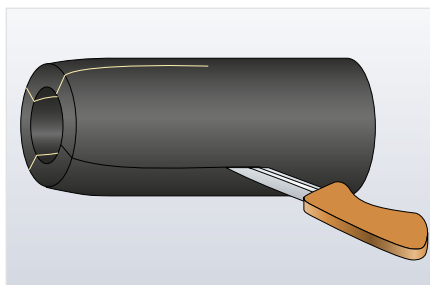
Pipe reducer using Armaflex tube



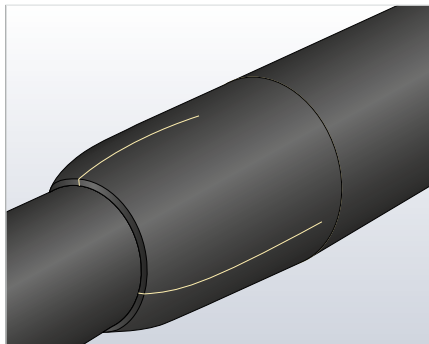
Pipe reducer to be insulated



Cut out segments from a tube of the larger diameter and glue seams with Armaflex adhesive.



Cut reducer to size - allow compression of 5 mm at each end. Slit fitting on the flat side.



Install and glue seam and butt joints.

Insulating pipes with Armaflex sheet

AF/Armaflex tubes are available for pipes with outer diameters up to 160 mm, Armaflex Ultima, HT/Armaflex and NH/Armaflex tubes are available for pipe with outer diameters up to 89 mm. Larger pipes and ducts as well as tanks should be insulated with Armaflex sheet, and all-over adhesive surface coverage is required for pipes with an outer diameter above 600 mm.

It is often advantageous to insulate smaller pipes using Armaflex sheet, even when correctly dimensioned tubes are available. Care should be taken to ensure that the stresses in the seams, caused by the bending in the sheet, do not become too great.

These stresses rise as the insulation thickness increases and as the pipe diameter decreases. Please consult the table below to gauge the applicability of different thicknesses of Armaflex sheet (recommendations may vary for HT/Armaflex and NH/Armaflex).

The ambient temperature during installation will also impact on the levels of stress likely to be encountered.

For advice on installing Armaflex sheet in ambient temperatures $\geq 5\text{ }^{\circ}\text{C}$ please see following table.

AF/Armaflex Sheets	Pipe Outer Diameter / mm				
	≥ 88.9	≥ 114	≥ 139	≥ 159	≥ 408
AF-10-MM	•	•	•	•	•
AF-13MM	•	•	•	•	•
AF-16MM	•	•	•	•	•
AF-19MM	•	•	•	•	•
AF-25MM		•	•	•	•
AF-32MM			•	•	•
AF-50MM					•

Note: AF/Armaflex tubes are offered with engineered wall thicknesses. This should be taken into account when selecting AF/Armaflex sheet thicknesses.

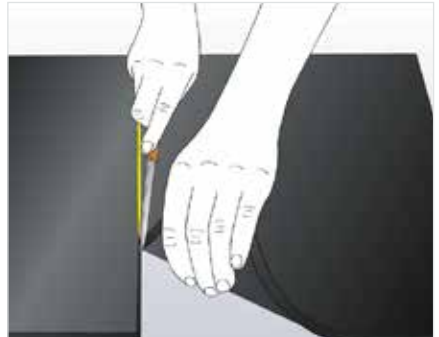
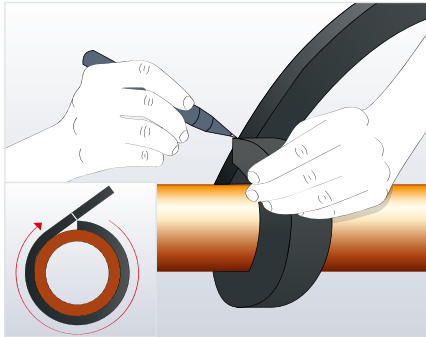
HT/Armaflex* NH/Armaflex Armaflex Ultima**	Pipe Outer Diameter / mm			
	≥ 88.9	≥ 114	≥ 139	≥ 159
6 mm	•	•	•	•
10 mm	•	•	•	•
13 mm	•	•	•	•
19 mm	•	•	•	•
25 mm			•	•
32 mm				•

* HT/Armaflex sheets are not available in 6 mm and 32 mm thickness

** Armaflex Ultima sheets are not available in 32 mm thickness

Insulating large pipes with Armaflex sheet

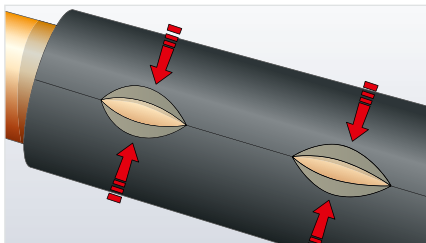
1. Determine the circumference of the pipe.
Important: Always measure with a strip of Armaflex of the thickness to be used for the insulation.



Warning: Do not stretch the strip.

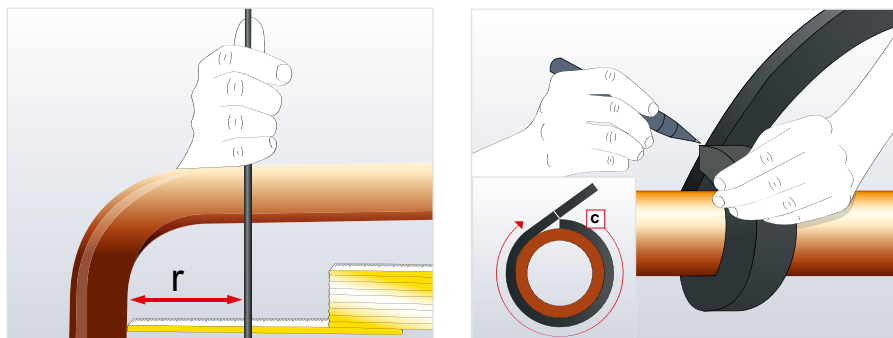
2. Cut Armaflex sheet to the required size - apply Armaflex adhesive to the cut surfaces in a thin layer, allow to tack dry.
3. Press together at the ends and then in the middle. Close the entire seam starting from the middle.

Note: In order to prevent the seam re-opening, ensure the adhesive has been fully applied to the edges of the seam and ensure the correct amount of adhesive has been applied.



Check the open time of the adhesive to ensure it is still fit for use.

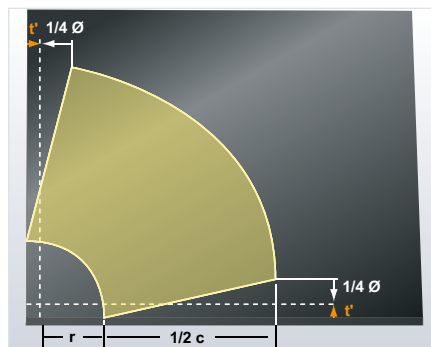
Two-part bend with Armaflex sheet



Establish the inside radius, “r”, by dropping a perpendicular line to meet a horizontal line from the outside of the two welds. The point where these two lines intersect gives the origin for the radius, r. This is the throat radius.

Measure in a trimming allowance (determined by the insulation thickness) along both vertical and horizontal edges then transfer to the sheet as indicated.

Determine the circumference of the pipe using a strip of Armaflex of the thickness to be installed



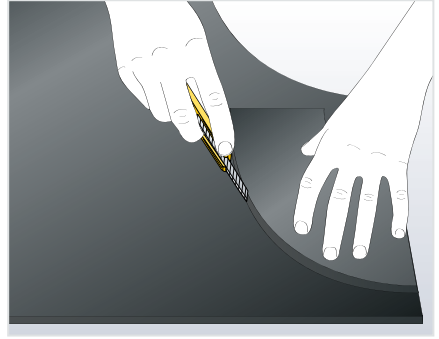
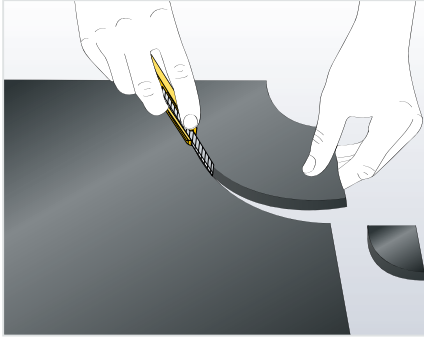
Halve the pipe circumference and transfer this dimension to the Armaflex sheet.

Mark out the two arcs from the intersection of the trim lines.

r = inside radius of bend

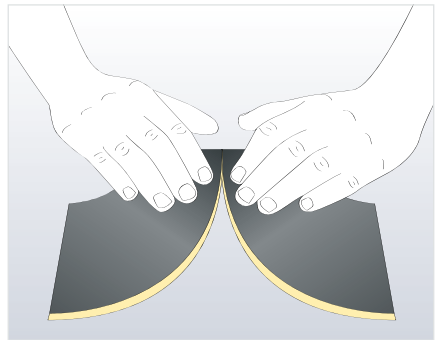
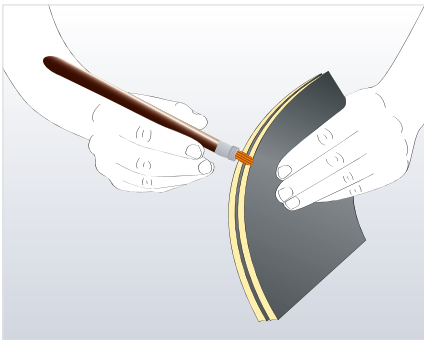
$\frac{1}{2} c$ = half of pipe circumference

t' = insulation thickness (in mm)



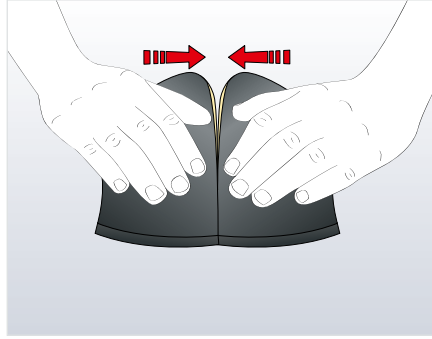
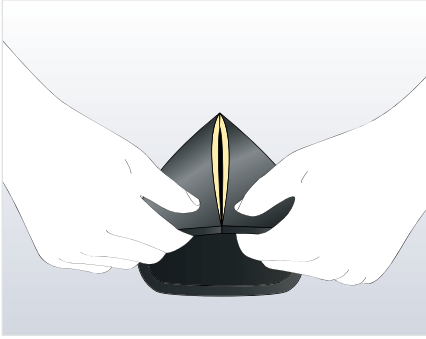
Cut out the first half-section of the elbow.

Use the first half-section as a template to cut out the second half-section of the elbow.



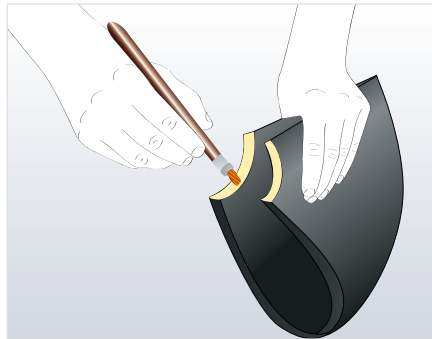
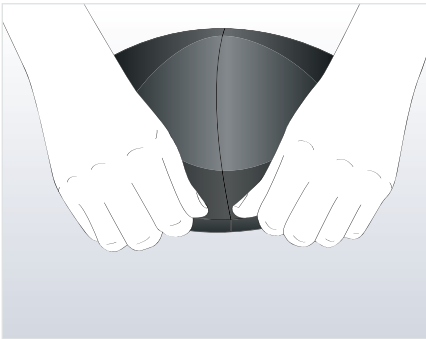
Place the sections together with the rough surfaces inwards. Apply Armaflex adhesive to the outer edges.

Allow the adhesive to tack dry (fingernail test) then press the two sections together at one side to make a short seam.



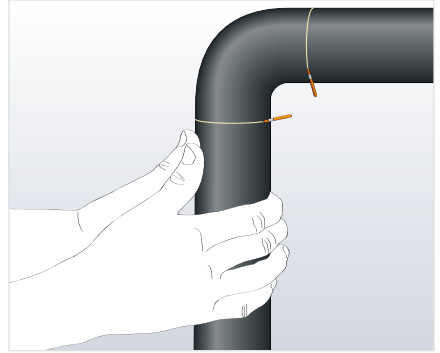
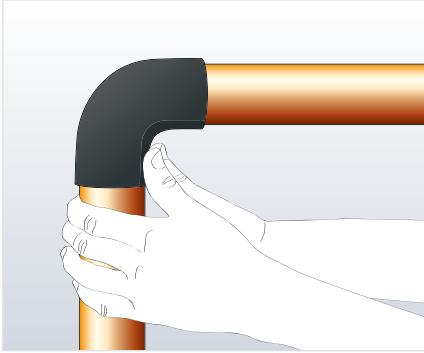
Next, press the opposite sides together, also making a short seam. Working towards the centre.

Press the remainder of the joint firmly together.



Turn the assembly over and press the seam firmly together from the inside, so that a good adhesive joint is achieved across the entire wall thickness.

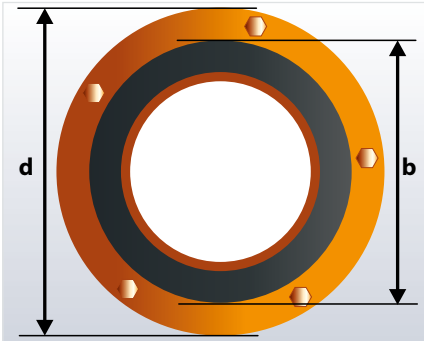
Apply Armaflex adhesive to the inner joint edges.



Place the insulation cover over the pipe bend. Allow the adhesive to tack dry, then press the joint faces firmly together.

Wet seal jointing details with adhesive, fitted under slight compression, to complete the bend.

Valve insulation with Armaflex sheet



For greater stability, the valve body can be strengthened by covering with a pre-cut metal or plastic part.

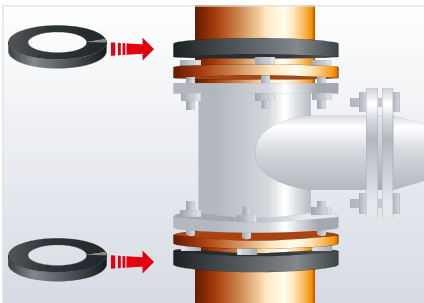
Insulate the pipe up to the flange.

Determine

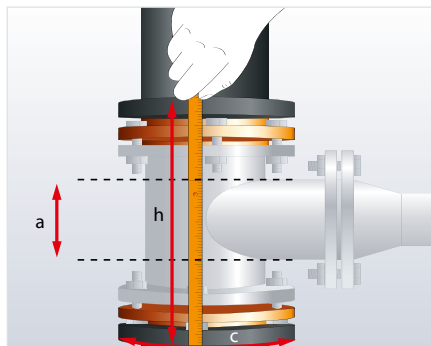
b = circumference of insulated pipe

d = depth of flange ring

Fabricate two end discs:



With the corresponding radius of d mark a circle on Armaflex sheet material, with the radius b mark the cutout. First cut out the whole disc, then the cutout. Cut the discs on one side and glue together again on the insulated pipe.



Fabricate the valve body

Measure

h = height between the outer faces of the two rings.

a = diameter of spindle neck

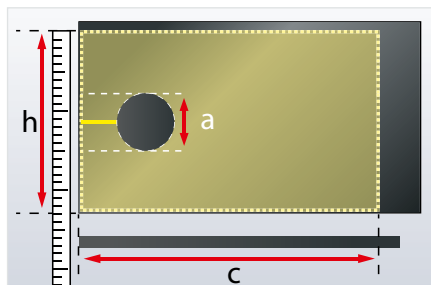
c = circumference of the rings

Important: Always measure with a strip of Armaflex of the thickness to be used for the insulation.

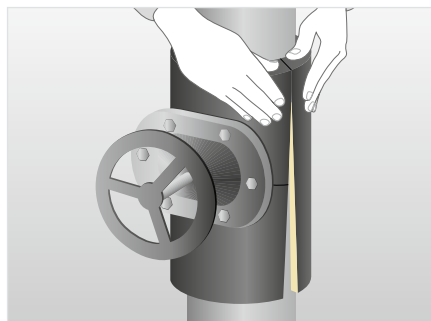
Do not stretch the strip.

Transfer height (h), circumference (c) and diameter of spindle neck (a) to the Armaflex sheet and mark the cutouts for the spindle neck.

Note: Cutouts should always be made 5 mm less than measured.



Note: For valve spindles without connecting flanges it is recommended that the cutouts are marked in the first quarter of the Armaflex sheet.

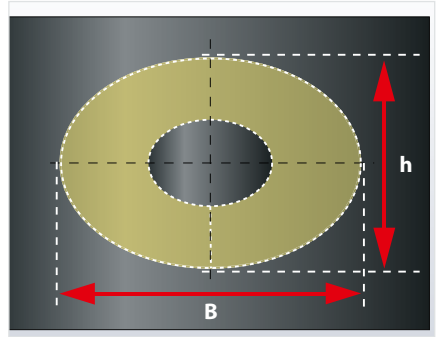
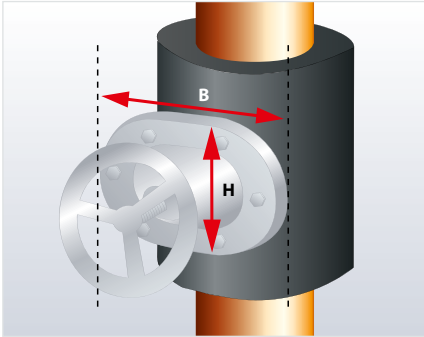


Cut the valve jacket and fit on the valve. Then apply a thin coat of Armaflex adhesive to all seams of the valve cover. Allow to tack dry (fingernail test), fit, then press together firmly.

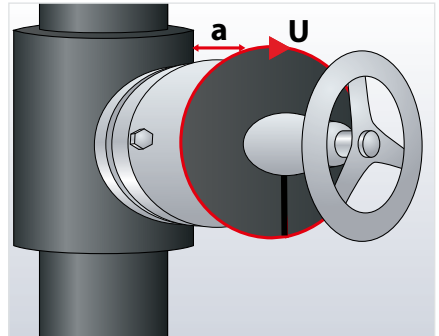
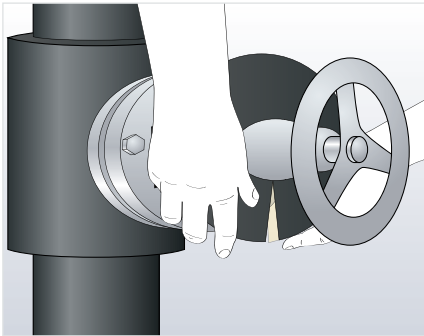
Note: The valve body should always be insulated after the pipe.

To increase the security of the seams, pre-fabrication of the valve cover on the workbench is recommended based on accurate measurements.

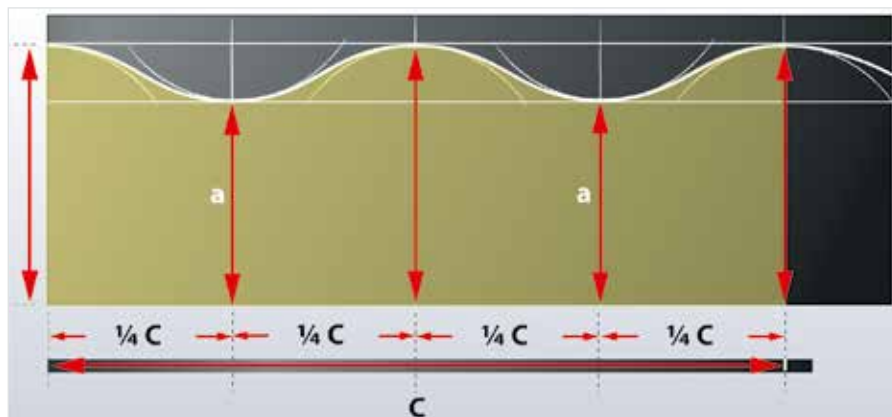
Insulating neck-T / pipe-T / spindle neck of valve with Armaflex sheet



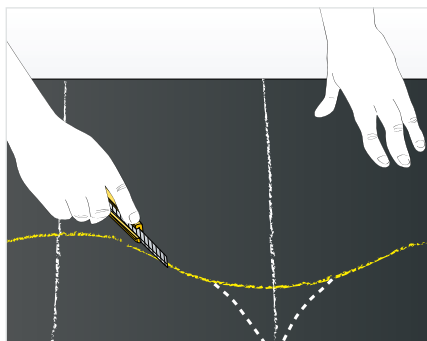
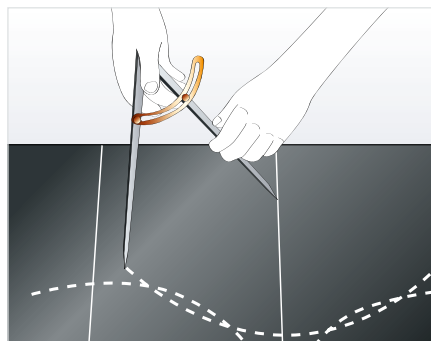
Measure the height of the spindle housing flange and its width, and fabricate an end disc.



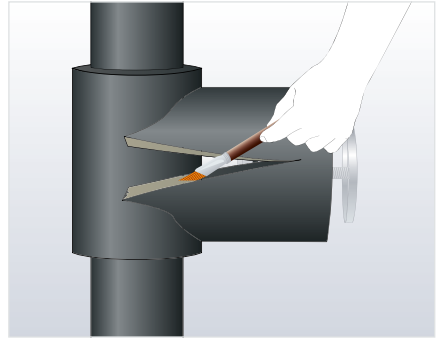
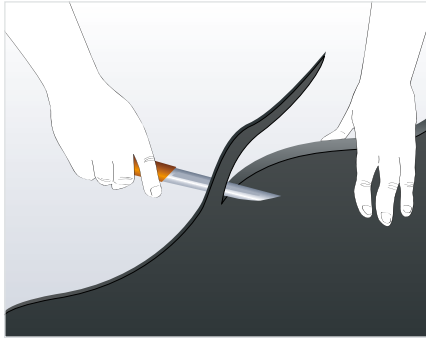
Cut through the disc on one side, apply adhesive to the cut edges, allow to tack dry. Re-join the end disc after placing it over the spindle neck. Measure the circumference of the end disc with a strip of Armaflex and transfer the measurement to the sheet material.



Mark off the circumference into 4 equal sections. Measure the minimum depths of the spindle housing including the thickness of the Armaflex end disc. Transfer these heights to the Armaflex sheet.

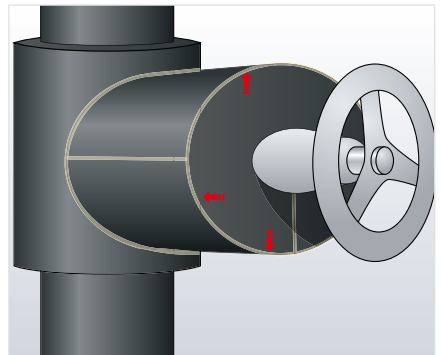
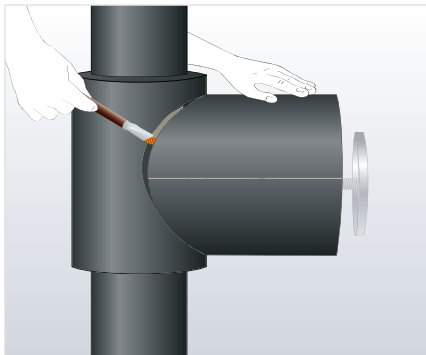


With the radius of the insulated valve body mark out 5 arcs round the intersections of the lines and join the arcs with a continuous line. Cut out the shaped section of sheet.



Chamfer away the inside surface at the highest point (where the sheet rests against the side of the valve body).

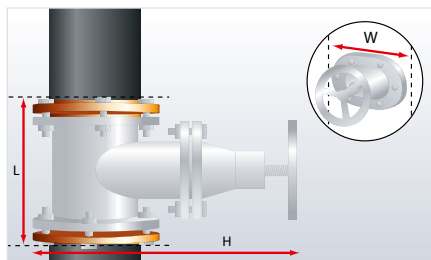
Apply adhesive to the longitudinal seam, allow to tack dry, then seal round the spindle housing.



Important: Secure bonding in the area of the spindle neck penetration is essential.

Note: Armaflex tape may be applied to the spindle neck in the area of the penetration to provide additional protection.

Insulating valves with D-box made of Armaflex sheet

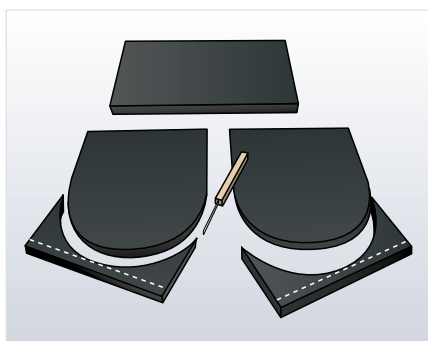
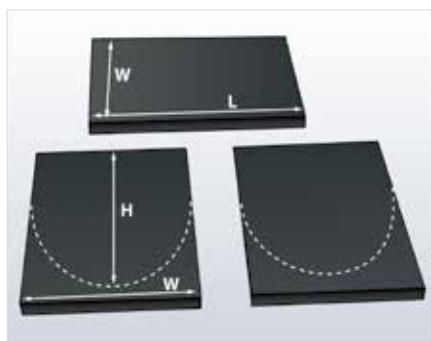


Establish the following measurements:

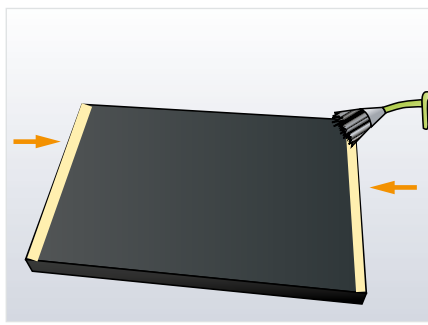
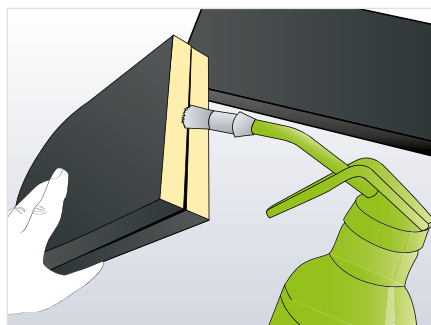
L = length of valve + 2 x thickness of insulation

H = height of valve + 2 x thickness of insulation

$W = \varnothing$ (diameter) + 10mm

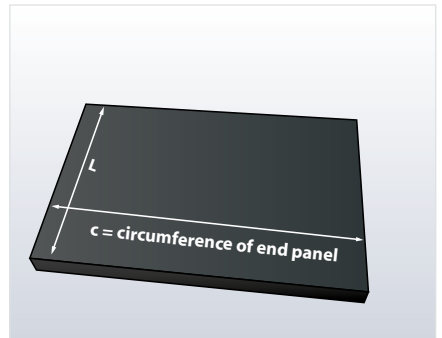
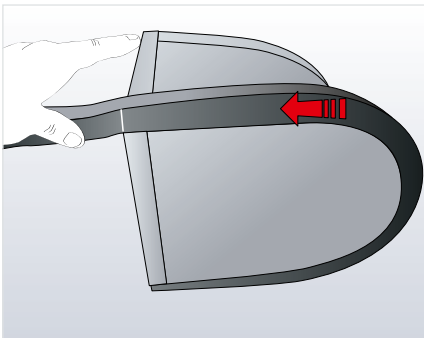
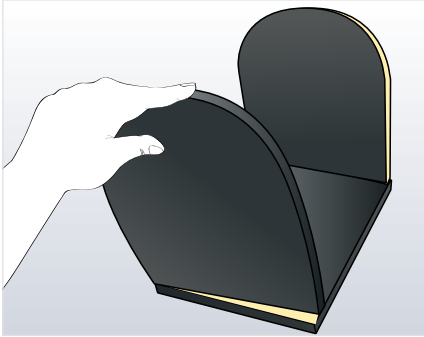


Mark out and fabricate 2 end panels and 1 top panel using the measurements taken in the previous step.
Cut cleanly using a small sharp knife.



Apply Armaflex adhesive along the edges as indicated.

Note: The glue line must be as wide as the thickness of the Armaflex used.



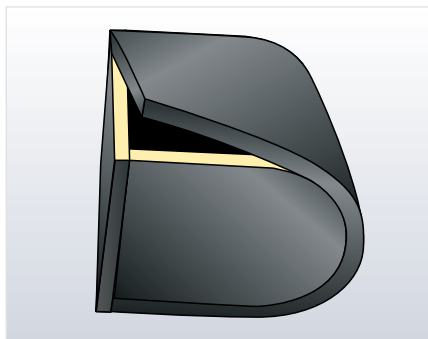
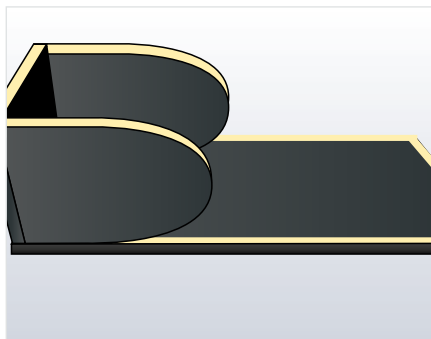
Glue the top edges of the end panels and the top panel edge.

Secure the end panels to the top panel making sure the edges are aligned

Use a strip of Armaflex (used thickness) to determine the circumference around one end panel (including the top panel).

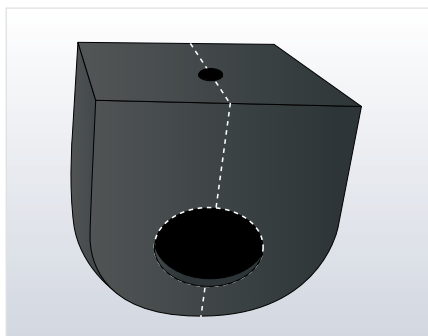
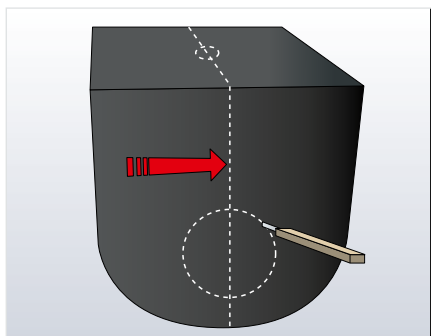
Mark measurement L and circumference and cut the body panel to size.

Apply Armaflex adhesive to the body panel end and the body panel edges as shown.



Gently roll the body panel edges around the end panels until the cover panel resembles a box.

Fix down the square 90° edge as shown. Ensure the edge is aligned and neat. Continue to secure all edges in this way.



Cut holes for the insulated piping connections on each of the end panels and a final cutout for the valve spindle connection at the top.

Split the box into two halves and fit around the valve.

To finish, apply Armaflex adhesive to the seams, allow to tack dry and join the seams.

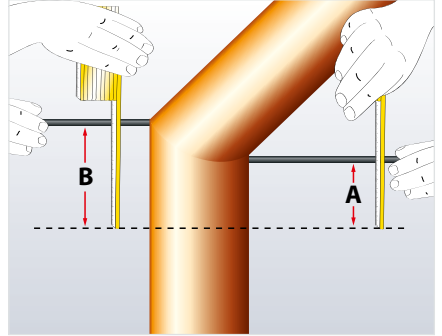
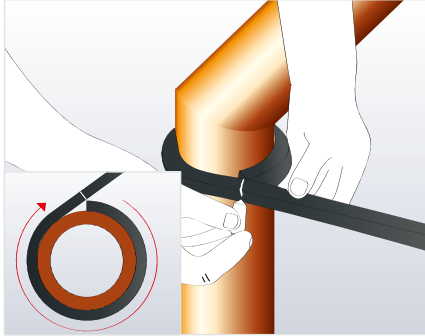
Vapour seal the connections (joints) to the linear insulated pipes using Armaflex adhesive.

Important: Secure bonding in the area of the spindle neck penetration is essential.

Note: Armaflex tape may be applied to the spindle neck in the area of the penetration to provide additional protection.

Offset angle & pipework bend angle joints

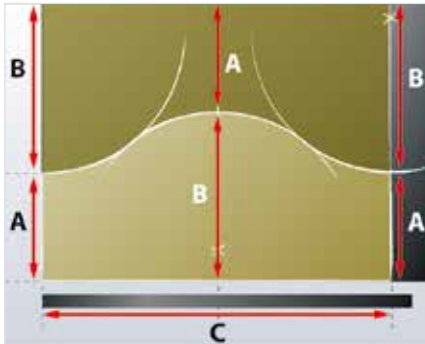
The following illustrations show the various stages of work when insulating a mitre angle or bevel joint in a pipe. The procedure when insulating a right angle pipe joint is effectively the same.



Determine the circumference of the pipe (c)

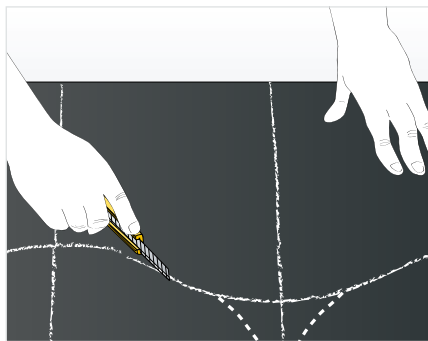
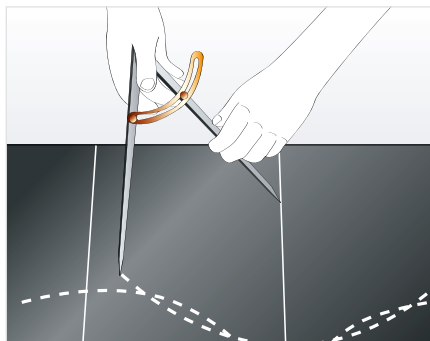
Important: Always measure with a strip of Armaflex of the thickness to be used for the insulation. Do not stretch the strip.

Measure the outer height (B) and the inner height (A) of the mitre joint.



Transfer the circumference to the Armaflex sheet and mark the centre line.

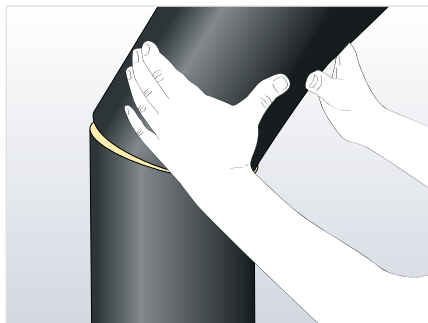
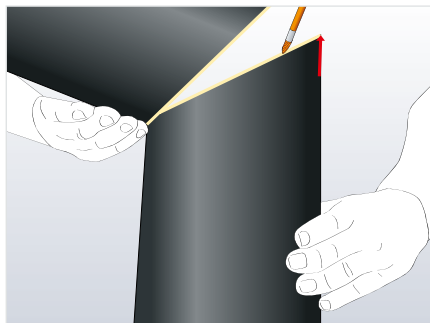
Transfer the outer and inner height to the Armaflex sheet.



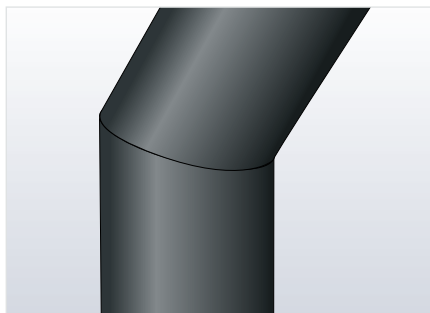
Measure the half-circumference using dividers and mark 3 arcs.

Join the arcs with a continuous line. Cut along the line. When repositioned by 180°, the upper and lower sections produce...

...the two parts of the mitre joint.



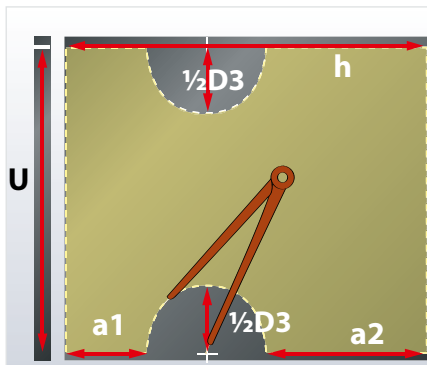
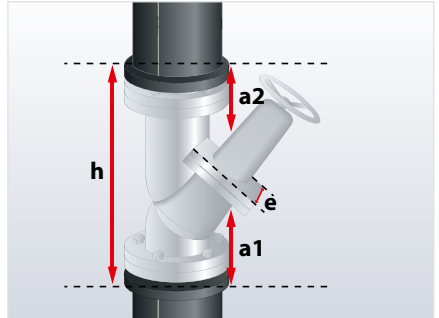
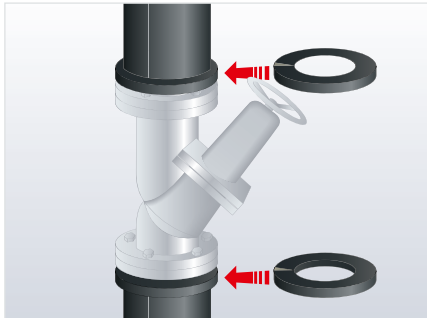
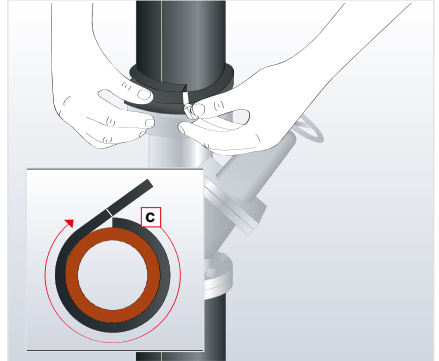
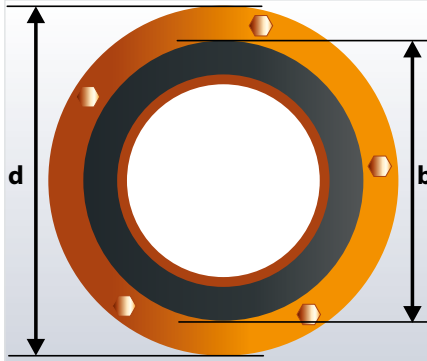
Apply Armaflex adhesive to the longitudinal seam, then to the connecting seam.



The insulation is now complete.

Strainers, strainer valves & inclined seat valves

The work involved in insulating a strainer valve or an inclined seat valve is similar (some measurements need to be extended) except that an end disc may be required.



Insulate the pipe up to flange.

Determine

b = circumference of insulated pipe

d = depth of flange ring

h = measure the distance over the outer faces of the two Armaflex rings you have positioned next to the flanges

a_1 = measure the distance from the strainer to the outer face of the lower ring

a_2 = measure the distance between the strainer and the outer face of the upper ring

e = diameter of strainer

Fabricate two discs

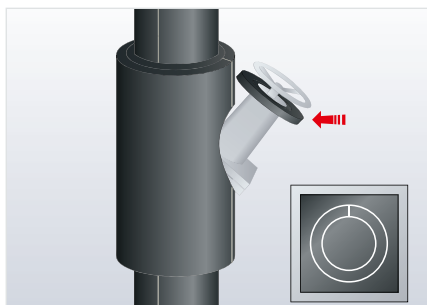
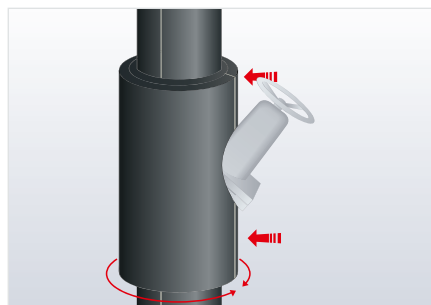
Measure the diameter of the flange and the diameter of the insulated pipe using a pair of callipers. Transfer these measurements to a piece of Armaflex sheet. Mark out two concentric circles with dividers. Repeat and cut out two Armaflex rings.

Note: It is often desirable to apply strips of Armaflex directly to the strainer at this point. Packing out in this way can add additional strength to the fitting cover and can reduce the impact of shrinkage at low temperatures.

Important: Always measure with a strip of Armaflex of the thickness to be used for the insulation.

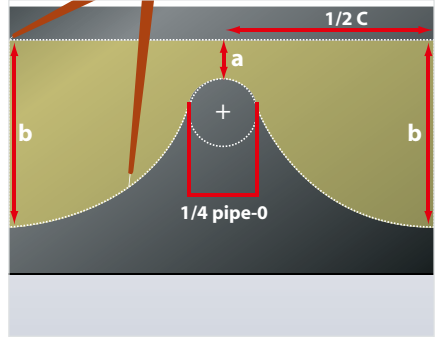
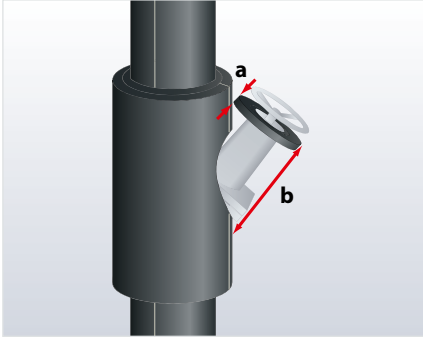
Warning: Do not stretch the strip.

Transfer these measurements to the Armaflex sheet and mark the cutout required for the seat valve body.



Cut the sheet and attach the insulation to the seat valve body using Armaflex adhesive.

Cut a ring of Armaflex with inner diameter equal to the outer diameter of the insulated offset part of the strainer. Attach this ring to the end of the insulated section as shown using Armaflex adhesive.



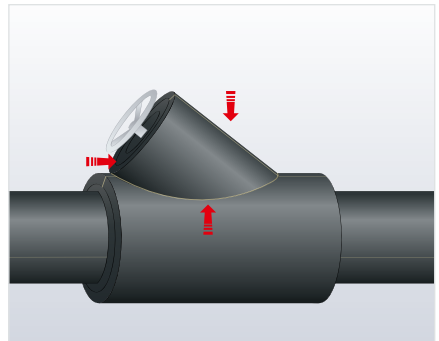
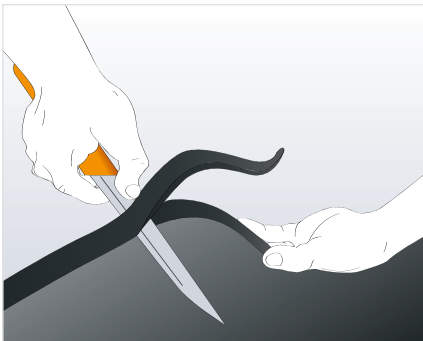
Determine

a = shortest distance from the ring of Armaflex to the insulation around the strainer body.

b = longest distance from the ring of Armaflex to the insulation around the strainer body.

Using the circumference of the offset section of the strainer prepare a sheet of Armaflex.

Transfer distance “b” on the outer boundary liner and distance “a” on the centre line.



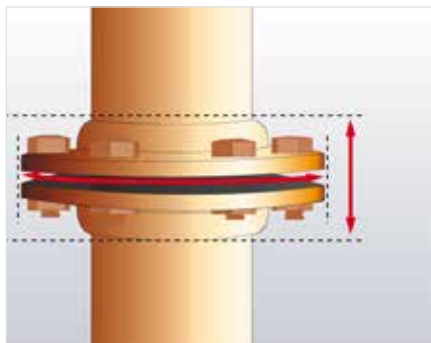
Cut the remaining section of sheet.

Chamfer the sheet away where it is to touch the insulation around the strainer body.

Flange boxes

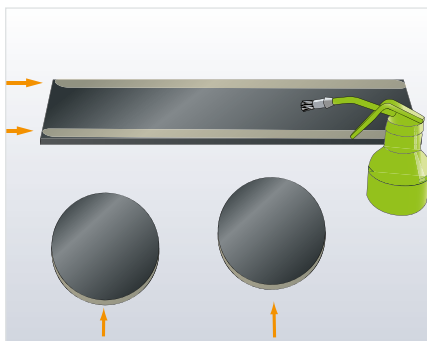
The following section shows the installation techniques for insulating flanges.

In chilled-water or refrigeration applications it is advisable to pack the gaps between the nuts with strips of Armaflex insulation.



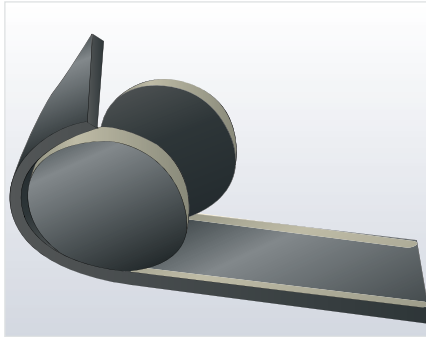
Using a pair of callipers, determine the diameter of the flange face. Add 10 mm to this measurement.

Measure the length of the flange (incl. bolts) and add 2x the insulation thickness of the sheet used.



Transfer these measurements to a piece of Armaflex sheet. Mark two concentric circles with dividers. Repeat on a second piece of sheet. Cut out two Armaflex rings.

Determine the circumference of the disc.



Roll the body panel up and around the end discs, do not stretch during application. Check alignment throughout.

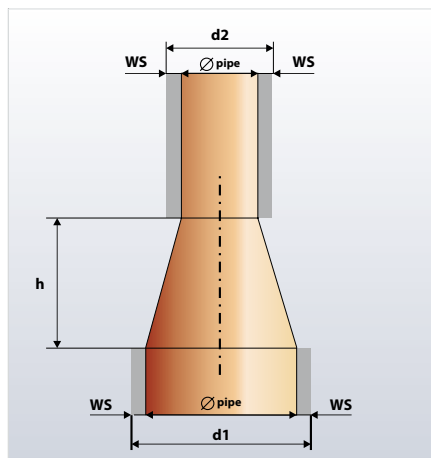
Place the edge to the edge of the adjoining seam opposite.



Using a small sharp knife cut out for the insulated pipe diameter.

To finish fit the two halves of the flange box around the flange and wet seal all seams and joints to the insulated pipe branch.

Concentric reducers



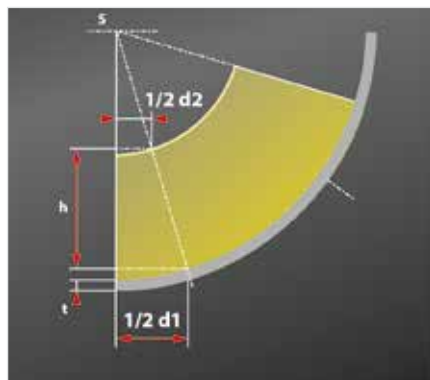
Determine the following measurements

h = height of the reducer, including both welds

d_1 = diameter of larger pipe + 2 x insulation thickness

d_2 = diameter of smaller pipe + 2 x insulation thickness

Determine the circumferences by placing a strip of Armaflex sheet material in the thickness to be used round the larger diameter pipe. Do not stretch the strip.

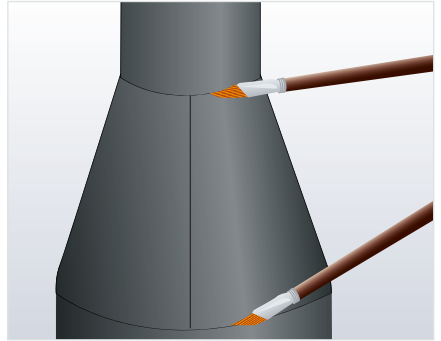
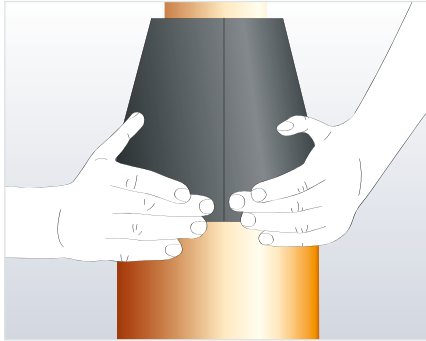


Thickness of Armaflex sheet material

t	6 mm	10 mm	13 mm	16 mm	19 mm	25 mm	32 mm	50 mm
-----	------	-------	-------	-------	-------	-------	-------	-------

Transfer the measurements determined onto the surface of the Armaflex sheet marked as shown in the picture. Minimise material waste by drawing the half-elevation on the edge of the Armaflex sheet.

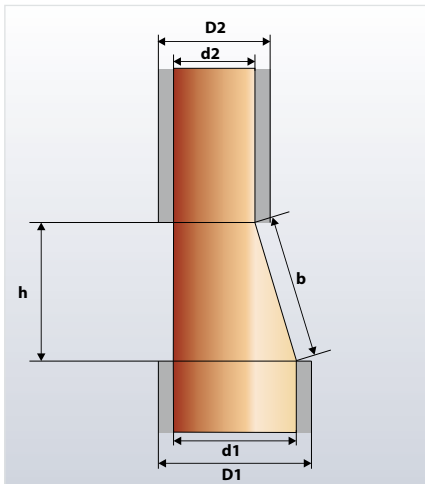
Cut out the reducer piece with a sharp knife (yellow area indicates the cutting lines).



Apply a thin coat of adhesive to the edges to be joined, allow to tack dry. Press together firmly at one end, then at the other end and complete the joint.

Complete insulation by insulating the pipes on either side of the reducer and wet seal both butt joints.

Excentric Reducer



Determine the following measurements:

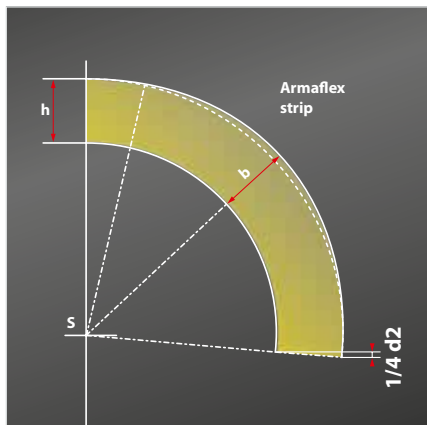
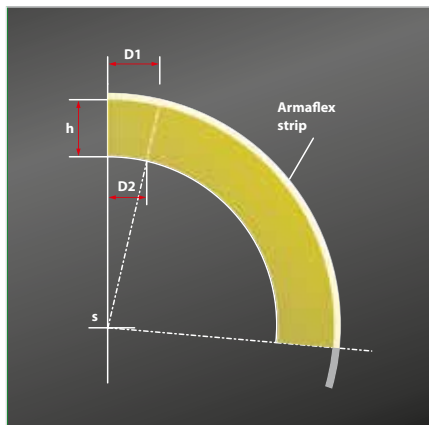
h = height of the excentric reducer including both welds

$D1$ = diameter of the larger pipe + 2x insulation thickness

$D2$ = diameter of the smaller pipe + 2x insulation thickness

b = true length of the reducer

Determine the circumference by placing a strip of Armaflex sheet material in the thickness to be used round the larger diameter pipe.

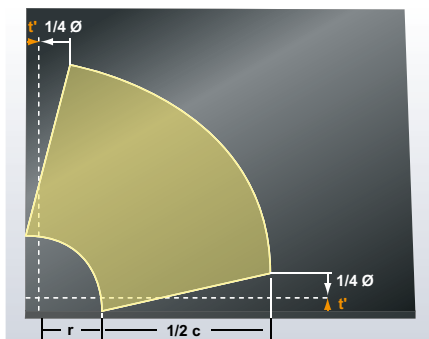


Transfer the measurement determined onto the surface of the Armaflex sheet material, as shown in the picture.

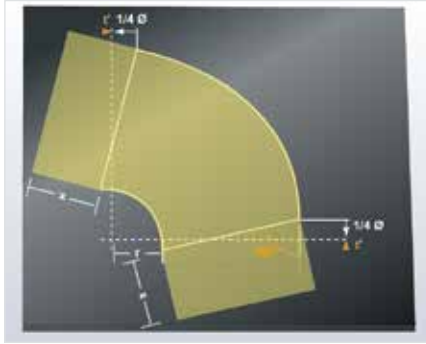
Modify the pattern as appropriate.

Two-part bend made of Armaflex sheet with extension

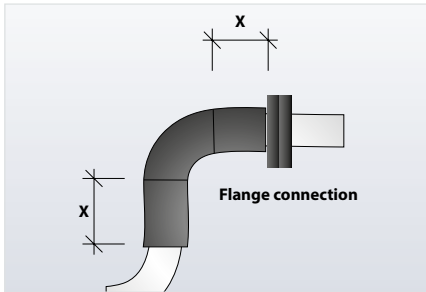
In some cases flanges, valves etc. are located in close proximity to bends. In such situations it is practical to insulate this area as a single operation:



1. Fabricate a two-part bend (see "Two-part bend with Armaflex sheet" on page 34)

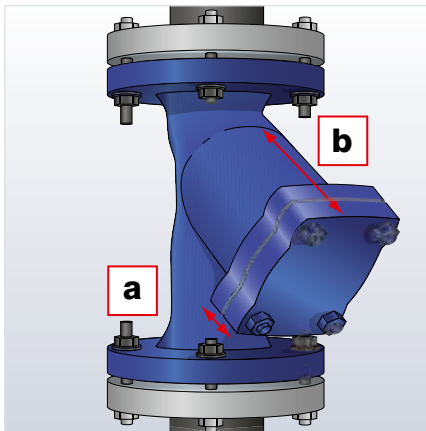


2. At both ends of the bend, mark the required extension "x" at a 90° angle.
3. Cut the first half-section of the extended elbow. Use the first half-section as a template to cut the second half-section of the elbow
4. Place the sections together and apply Armaflex adhesive to the outer edges.
5. Allow the adhesive to tack dry and glue the pieces together (see "Two-part bend with Armaflex sheet" on page 34).

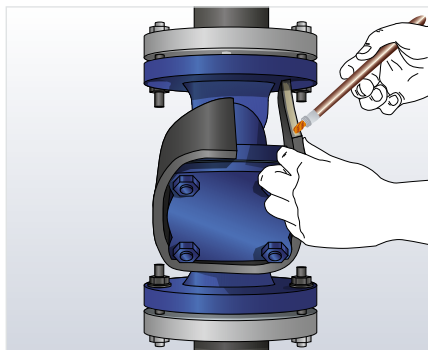
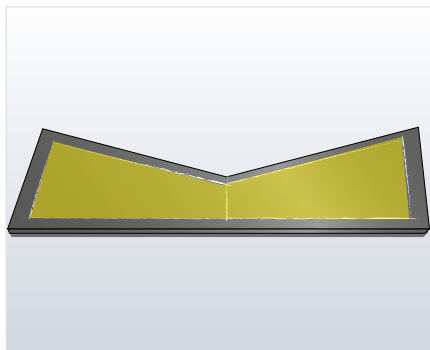


6. Place the insulation cover over the pipe bend. Allow the adhesive to tack dry then press the joint faces firmly together

Strainer valve insulation with Armaflex sheet



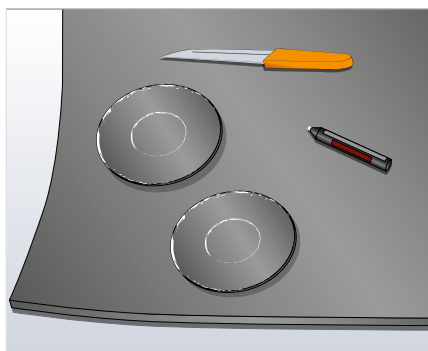
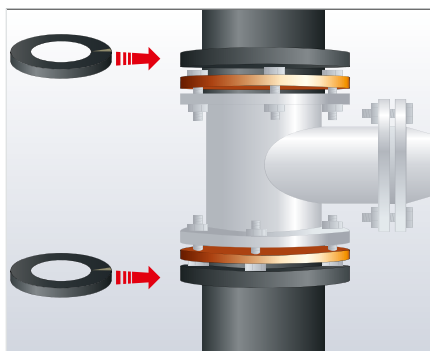
1. Insulate the incoming pipes up to the flange.
2. Measure the shortest distance "a" and the longest distances "b" of the end of the strainer to the uninsulated strainer valve body.
3. Determine the circumference of the removable cover of the strainer. Important: Always measure with a strip of Armaflex of the thickness to be used for the insulation. Do not stretch the strip.



4. Transfer the circumference to Armaflex sheet and mark a centre line.
5. At each end mark the longest distance "b" from the end of the strainer to the uninsulated strainer valve body and at the centre line mark the shortest distance "a".

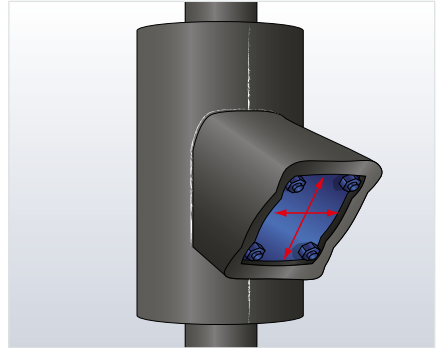
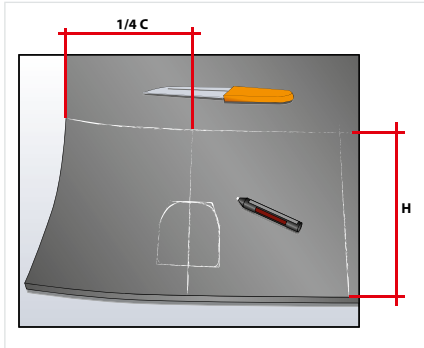
Note: The strainer section may extend into the insulation of the strainer valve body and an additional length may be necessary so that the insulation of the strainer section juts out of the insulation of the strainer valve body.

6. Cut the cut the piece out of the sheet material and attach the insulation to the strainer section using Armaflex adhesive.

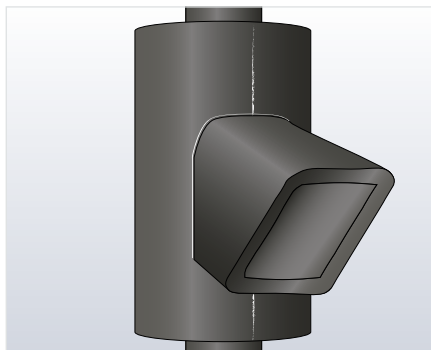


7. Using a pair of callipers determine the diameters of the:
 - insulated incoming pipes
 - flanges of the strainer valve

8. Transfer these measurements to a piece of Armaflex sheet. Mark two concentric circles with dividers. Repeat on a second piece of sheet. Cut out two Armaflex rings and install on both flanges.
9. Measure the distance between the outer faces of the two Armaflex rings and the circumference of the disc by using a strip of Armaflex with the thickness to be used for the insulation.
10. Transfer the circumference and the height to the Armaflex.



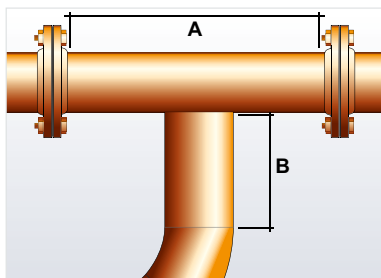
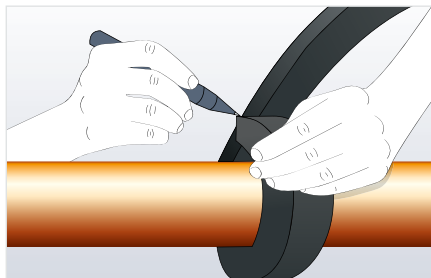
11. Mark a centre line and cut an outline for the strainer section. Cut the sheet and apply adhesive to the longitudinal seam. Attach the insulation to the strainer valve body using Armaflex adhesive.
12. Measure the height and the width of the strainer section including 2x insulation thickness, transfer to Armaflex sheet and cut out the disc for the end cover.
13. Determine the circumference of the disc. Always measure with a strip of Armaflex of the thickness to be used for the insulation. Measure the shortest and the longest distances from the end of the strainer to the insulated strainer valve body.
14. Transfer these measurements to Armaflex sheet as shown and connect the end-points with a divider.



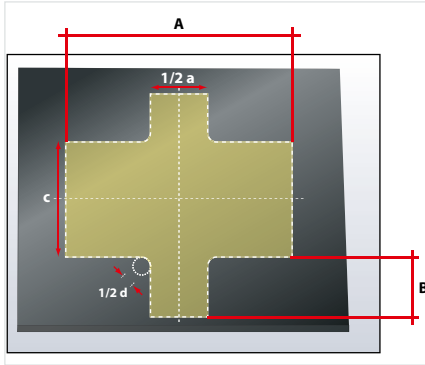
15. Cut the plotted shape and apply adhesive to all seams. Allow the adhesive to tack dry and roll the panel up around the end disc, do not stretch during application. Check alignment throughout.
 16. Install strainer insulation and glue precisely to the strainer valve body.
- Note:** Although the strainer must be cleaned periodically, a removable cap is not recommended on cold applications.

One-part T-piece with Armaflex sheet

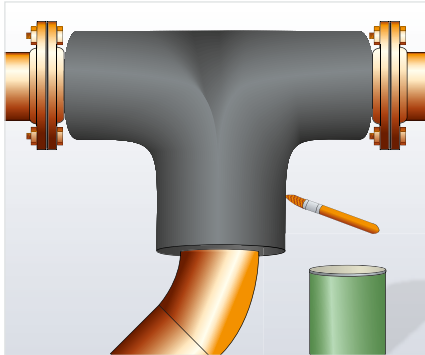
1. Measure the circumference of the uninsulated main pipe and branch pipe with a strip of Armaflex of the thickness to be used for the insulation.



2. Determine length A of the main pipe and length B of the branch pipe.

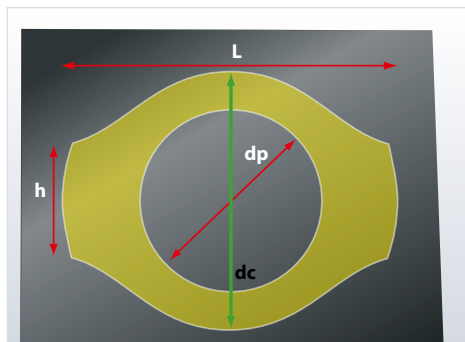
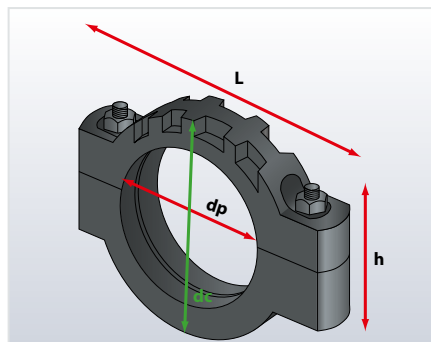


3. Transfer these measurements to a piece of Armaflex sheet and mark vertical and horizontal centre lines.
4. Determine the length of the branch pipe to be insulated. Mark from the centre point to both sides on the vertical centre line.
5. Mark $\frac{1}{2}$ diameter of branch pipe and join the points with straight lines.
6. With $\frac{1}{2}$ of the diameter of the branch pipe. Cut out the section.
7. Apply adhesive to all seams, allow to tack dry, then seal around the T-piece.



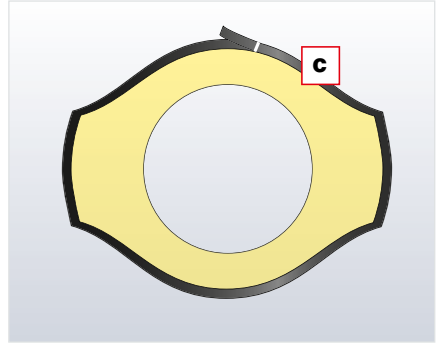
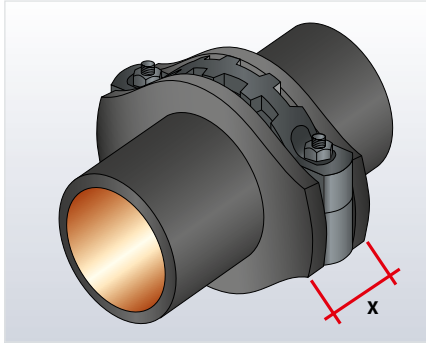
Insulating victaulic couplings with Armaflex sheet

1. Insulate pipes up to the coupling.

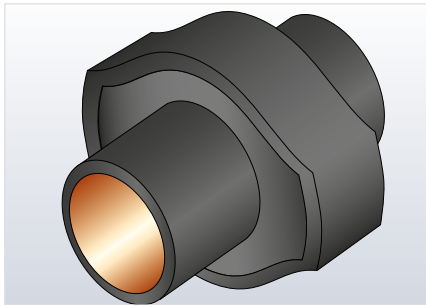


2. Determine
 $dc = \text{diameter of coupling} + 2 \times \text{insulation thickness}$
 $h = \text{height of screws} + 2 \times \text{insulation thickness}$
 $L = \text{length of coupling}$
3. Using $\frac{1}{2}$ of dc (diameter coupling + 2 x insulation thickness) as a radius, transfer a circular arc to the Armaflex sheet and mark a horizontal centre line.
4. From the centre of the line, mark the width of the coupling.
5. At both ends, mark the height of the screws plus 2x insulation thickness at a 90° angle to the centre line.
6. Connect the four end-points and the circular arc with a tangent so that a oval-like disc is formed.
7. Determine the diameter of the insulated pipe and mark it on the Armaflex sheet.

8. Cut out this disc and use as a template to create a second identical disc.

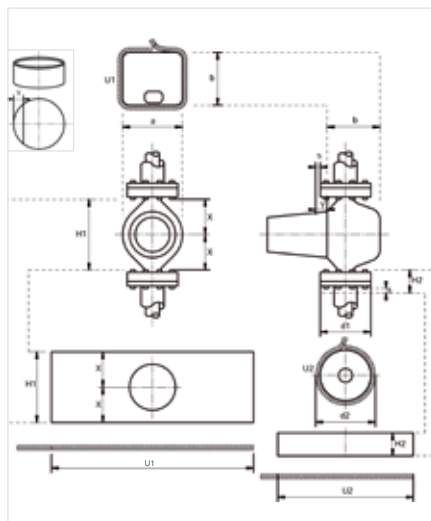


9. Glue both discs directly next to the coupling as shown.
10. Determine the circumference of the disc and measure the distance over the outer faces of the two discs.
Transfer these measurements to a sheet of Armaflex.
Important: Always measure with a strip of Armaflex of the thickness to be used for the insulation. Do not stretch the strip.
11. Cut this section and glue over the Armaflex discs around the coupling.



Insulating pumps with Armaflex sheet

Various types of pumps are available. The following section offers general advice and procedures which can be applied and modified as required to insulate most pump configurations.



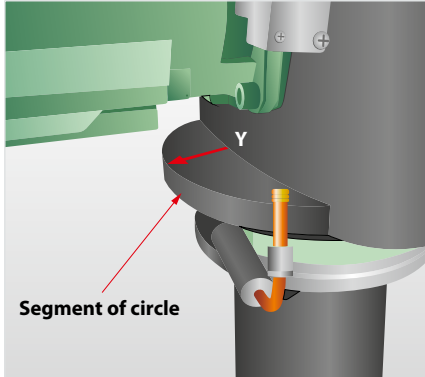
1. Insulate the incoming pipes up to the flange.
2. Cut to size two Armaflex discs including the cutouts according to the dimension of the pump body ($a \times b$).
3. Determine the circumference of the disc ($U1$).

Important: Always measure with a strip of Armaflex of the thickness to be used for the insulation. Do not stretch the strip.

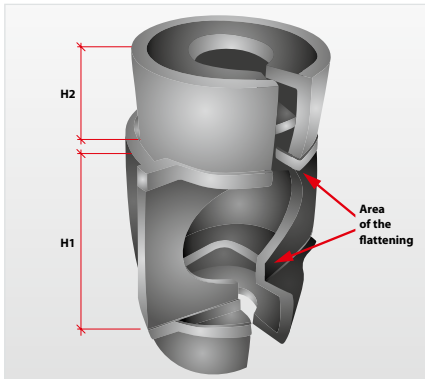
4. Cut out the section for the insulation of the pump body from an Armaflex sheet ($U1 \times H1$).
5. Create the cutout for the motor pump. To provide a close-fitting cutout in the penetration area of the pump motor, it should be 5 mm smaller than measured.
6. Glue both discs to the section for the pump body. Place the insulation cover over the pump body and apply adhesive. Allow to tack dry then press the surfaces firmly together.

Note: In the area of the pump motor, apply self-adhesive Armaflex tape to the pump to ensure the insulation is attached securely.

7. For the flattening fabricate two circular sections. Cut out discs with the dimension of flange diameter + 2 x insulation thickness. Mark the Y-dimension, cut the two circular sections and glue at the top and bottom of the pump cap.



8. Fabricate the flange boxes: determine the diameter of the flanges d_1 , circumference U_2 , the height H_2 and the cut-outs for the insulated piping connections.
9. Fit the flange boxes around the flange and wet seal all seams and joints.



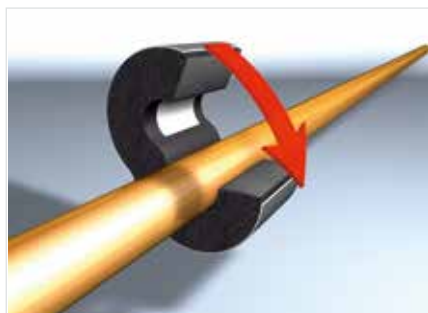
The picture shows a pump box with a straight front cover and a semi-circular shell.

Installing Armaflex insulated pipe supports

Where Armaflex is installed, the use of Armaflex pipe supports is the preferred solution to prevent ice and condensation on cold installations. However, when Armaflex pipe supports are not selected, it is imperative to follow these instructions:

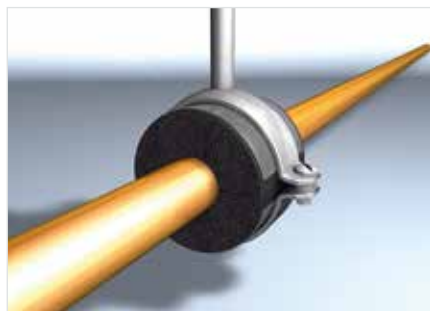
- Ensure that the Armaflex is fitted tight to the support with no air gaps and vapour-sealed with Armaflex adhesive.
- Install Armaflex self-adhesive tape to the butt joint where the Armaflex and the support meet. Ensure the surface of the butt joint is free from dust before installing the Armaflex tape.

Armaflex pipe supports are sections of Armaflex with load bearing PUR/PIR inserts and an aluminium outer shell cladding.



Install Armaflex pipe support to the pipe, remove the white protective paper strip on both side. Close the seam applying firm pressure.

Note: Select the correctly dimensioned Armaflex pipe support (min. insulation thickness of tube).



Install the brackets.

Important: Use only the PUR/PIR segments to bear the load.

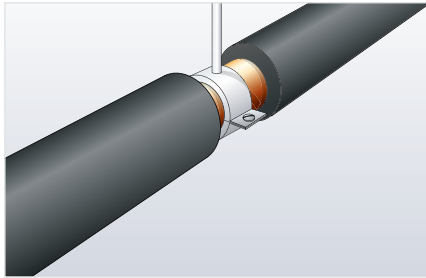
Install the Armaflex insulation on either side of the Armaflex pipe support. Wet seal the butt joints with the Armaflex pipe support using Armaflex adhesive.

Note: Ensure that the pipe insulation is installed under slight compression.

Insulating “over” pipe supports (encapsulating)

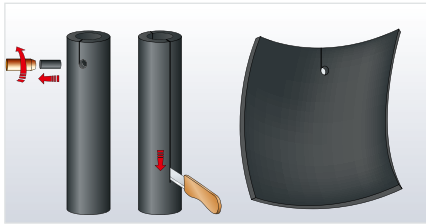
The insulation of standard brackets can be carried out using the following procedure:

Note: When installing on cold lines, it is essential to raise concerns about the suitability of such systems before beginning work.



1. Install the Armaflex as close to the fixing bracket as possible. Seal the ends of the tube to the pipe with Armaflex adhesive.

Note: On cold lines, insulate the fixing bracket with a suitable Armaflex tube or with Armaflex self-adhesive tape.



2. With a large off-cut of Armaflex tube, punch out a small hole to allow for the oil thread support of the bracket and slit with a small sharp knife along the flat face of the tube.

Note: For large pipe diameter the use of Armaflex sheet is recommended.



3. Place the Armaflex cover over the support area, mark and cut the true circumference of the cover.
Fix and vapour seal all seams and joints in and around the attached insulation using Armaflex adhesive.

Insulation of other pipe supports

Armafix pipe supports represent the best option to create a fully water-vapour-tight system and prevent condensation on cold applications.

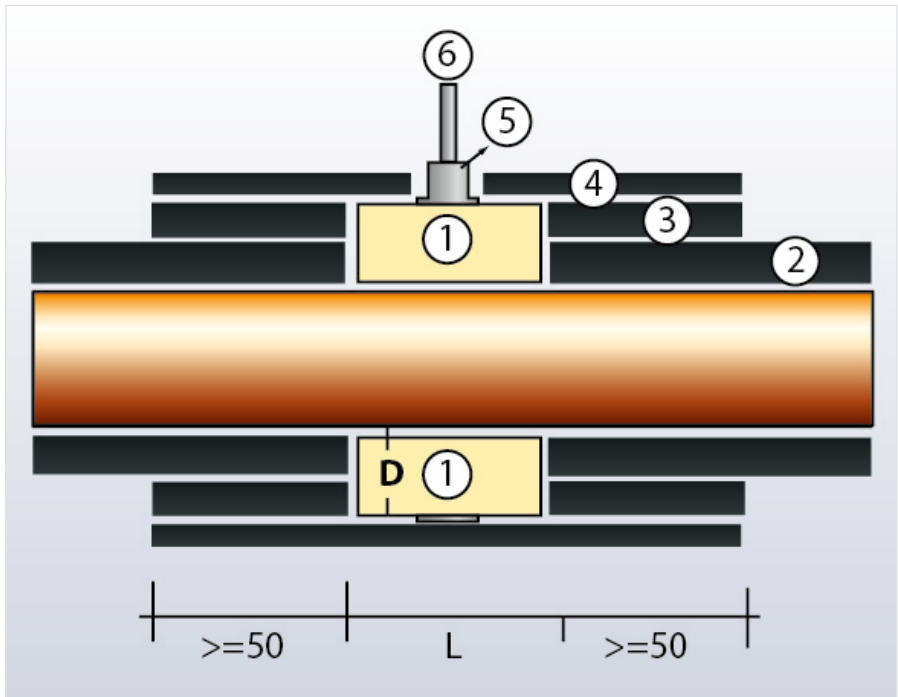
Often, cold clamps made of PUR/PIR complete the pipe hanging systems.

In these cases it is important that a vapour-tight bond between the cold clamps and the Armaflex insulation is achieved.

This interface represents a thermal bridge where condensation may occur and adhesion at these points requires special attention:

1. Clean the surface of the clamp using Armaflex cleaner.
2. Apply Armaflex adhesive on the surfaces which are to be glued. Allow this first layer of Armaflex adhesive to dry.
3. Apply a second thin coat of adhesive evenly on both the surface of the clamp and the Armaflex adhesive joints. After the adhesive has cured, the joints should be pressed together briefly, but firmly.
4. When gluing both butt joints under pressure, wet seal around the joint, when the clamps have been glued in advance (please see above)
5. If necessary double the Armaflex thickness to the diameter of the PUR-support.
6. To secure the butt joints, apply an overlapping strip of Armaflex using all-over adhesive coverage.

SCHEMATIC CROSS-SECTION OF A CONNECTION OF ARMAFLEX TUBES WITH A CLAMP MADE OF PU RIGID FOAM



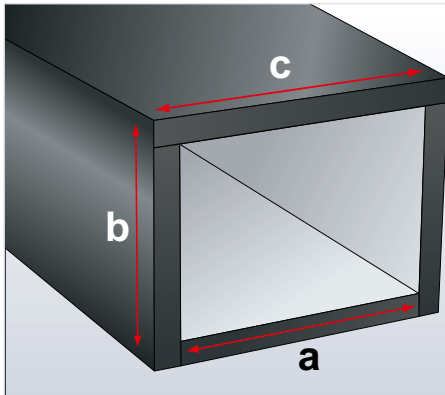
1. Clamp made of PU rigid foam
2. Armaflex tube
3. Armaflex double layer
4. Armaflex overlap (thickness ≥ 9 mm)
5. Connecting thread
6. Threaded bar

Ducts

Insulating rectangular ducts with Armaflex sheet

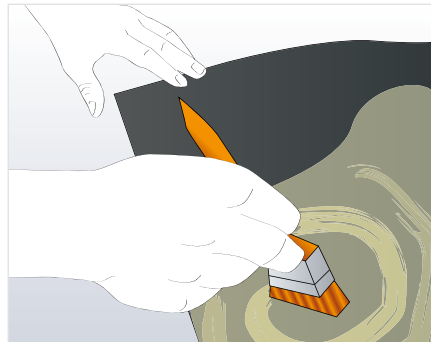
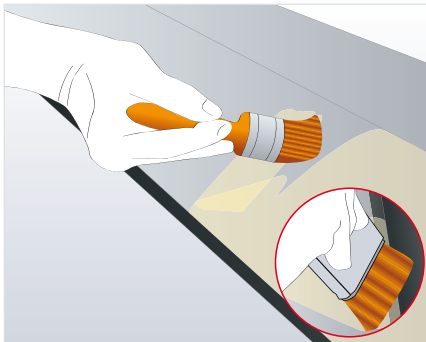
Measure surface dimensions and cut Armaflex sheet to size.

Note: Add 5 mm so that the material is fitted under compression.

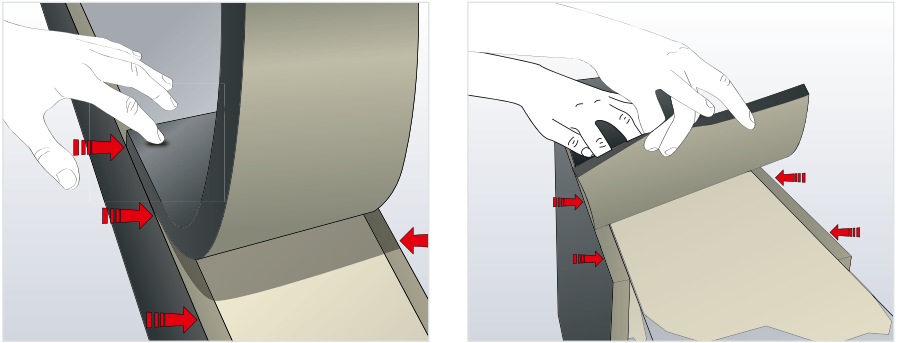


- a = width of duct + 5 mm
- b = height of duct + 5 mm + thickness of insulation
- c = width of duct + 5 mm + 2x thickness of insulation

Clean all surfaces using Armaflex cleaner to remove grease, oil, dirt etc. and cut sheets to size

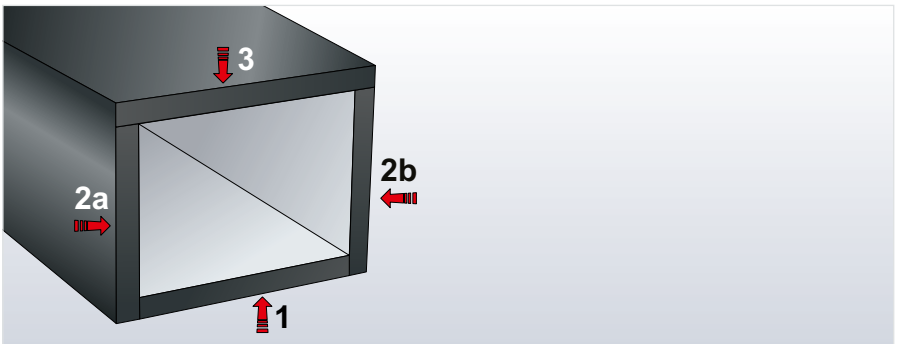


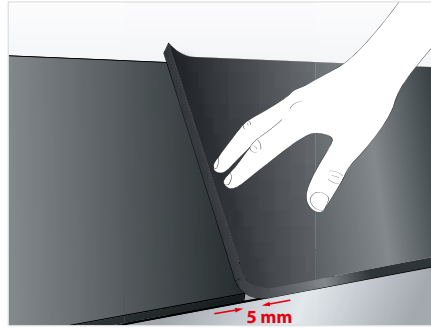
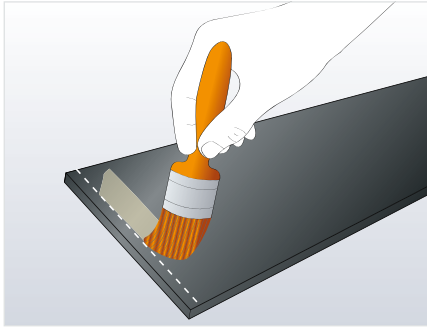
Spread a thin film of adhesive onto the metal surface and then onto the Armaflex sheet.



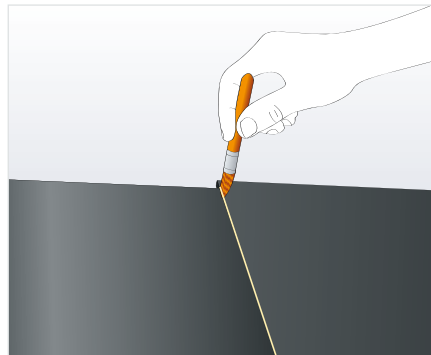
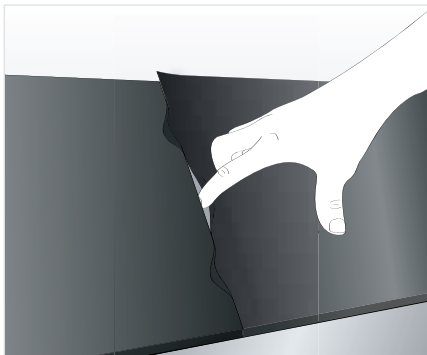
When the adhesive is tack dry (fingernail test) place Armaflex sheet in position and press firmly to achieve a good bond. Continue, applying Armaflex adhesive to both surfaces including the Armaflex edge, and allow to tack dry before pressing firmly into position.

Note: Remember to roll the sheet down into position along the insulated edges.





The cut sheets should be positioned so that there is a 5 -10 mm overlap (for compression). Do not apply adhesive to this area on either the Armaflex sheet or the duct surface. Where two sheets join, leave a 30 mm strip of both the sheet and the duct surface free of adhesive.

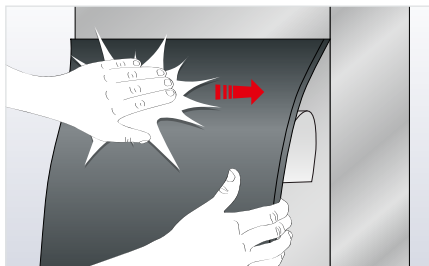
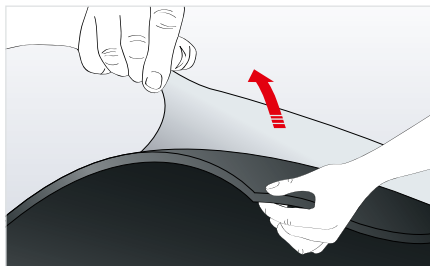


When pressed together, the material is under compression and not stretched.

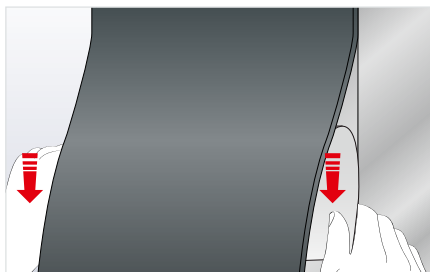
Apply an additional wet seal along the butt joints.

Insulating rectangular ducts with Armaflex self-adhesive sheet

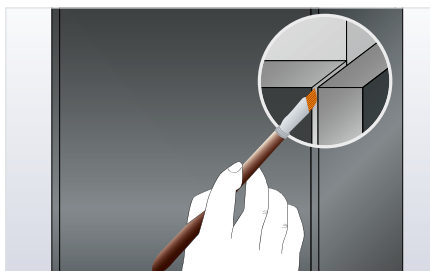
Clean all surfaces using Armaflex cleaner to remove grease, oil, dirt etc. and cut sheets to size



Peel back release paper 10 to 20 cm & line up sheet. Press firmly to activate adhesive.



Align material and continue to line up correctly, pressing firmly whilst slowly removing release paper. At butt joints allow 5 mm overlap for compression

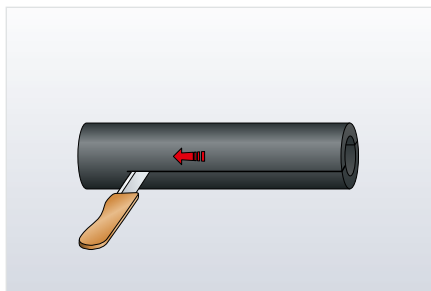


Wet seal the compressed butt joint.

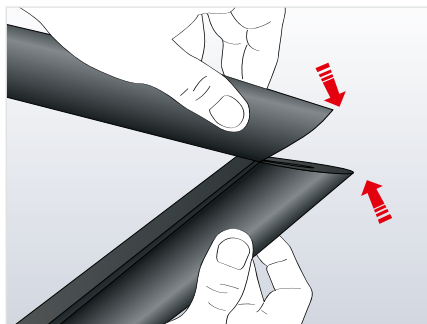
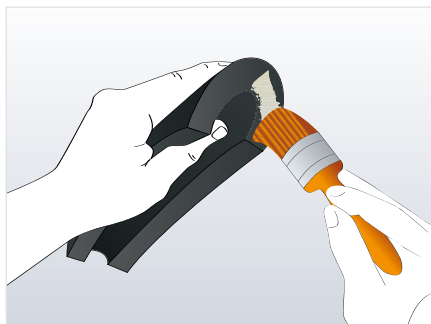
Insulating duct brackets with Armaflex

INSULATING DUCT BRACKETS USING ARMAFLEX TUBES

For a cost-effective solution with a high-end finish, Armaflex tube can be used to cover duct brackets.

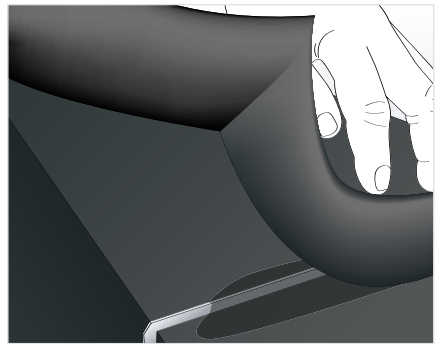
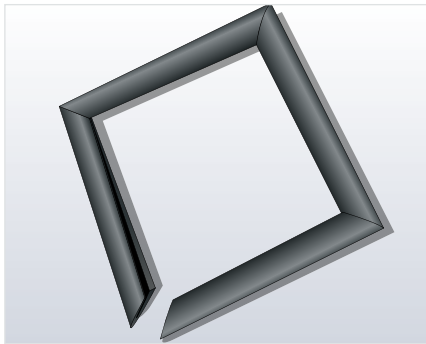


1. Use unslit Armaflex tube in a thickness equal to the duct insulation. Split the tube into two equal halves using a sharp knife.
2. Measure the four insulated sides of the duct body.
3. Using a mitre box, or the Armaflex template, cut the Armaflex as shown with a 45° angle. From the throat measurement, determine the length of the fitting and cut an opposite 45° angle as shown.
4. Continue to cut the other 3 sides of the tube picture frame fitting.



5. Using Armaflex adhesive, apply a thin even film with a brush to the three sets of 45° angles.

6. Allow the adhesive to tack dry and press the angles together, applying firm even pressure for a good bond.



7. Place the picture frame of Armaflex tube material around the ducting, apply the adhesive to the final angle cuts and bond to complete.
8. To finish, wet seal around the picture frame fitting cover.

INSULATING DUCT BRACKETS USING ARMAFLEX SHEET



Single strip method - Four single strips applied to the insulation.



Three-sided box method - Built up side strips with over-covering body strips.



Continuous single strip method - Complete single continuous strip.

In all these cases the fabricated Armaflex insulation bracket covers have the same thickness as the attached ductwork connections. For a continuous vapour-tight system, all insulation covers should be securely fixed and wet sealed with Armaflex adhesive.

Insulating circular ducts with Armaflex sheet

For circular ducts proceed as described in the sections “Insulating large pipes with Armaflex sheets” and “Use of adhesive on pipes with outer diameter > 600 mm”.

Vessels and tanks

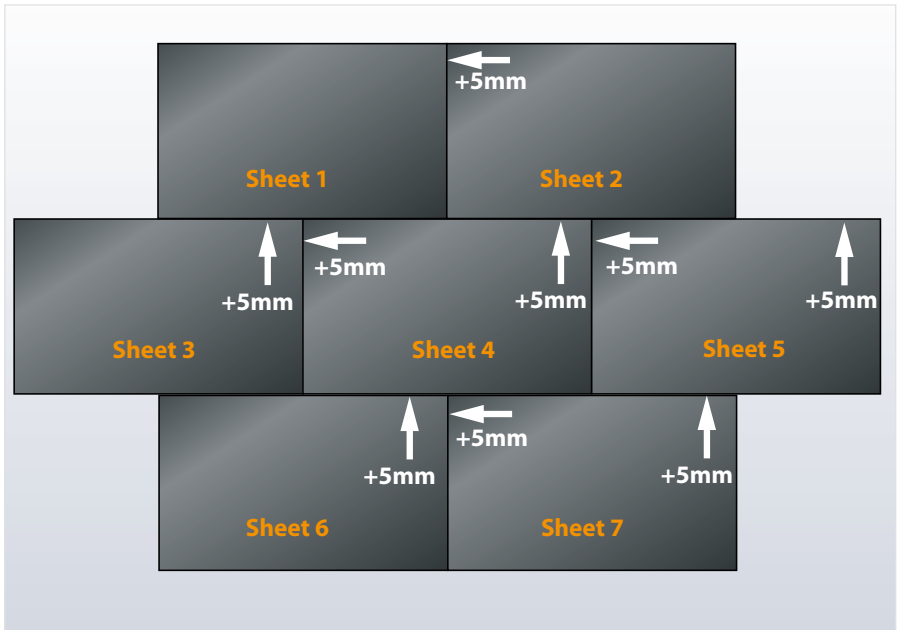
Insulating vessels and tanks with Armaflex sheet

DRAW UP A CUTTING SCHEDULE

Work out the most efficient way of covering the surfaces using Armaflex sheet (2 x 0.5 metre) or continuous roll (1m width and length 3 - 15 m depending on the thickness).

Armaflex sheet layout for large vessels and tanks

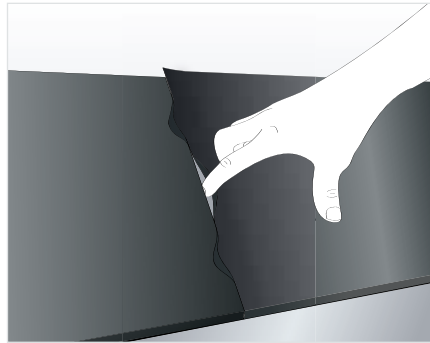
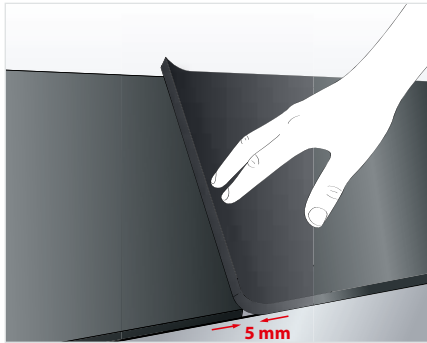
Note: ensure that sheet joints are staggered.



COMPRESSION JOINTS

Provide an allowance of an additional 5 mm on all dimensions when cutting from Armaflex sheet or roll.

Always make compression joints. On curved surfaces, measure the circumference with a strip of Armaflex of the same thickness to be used for the insulation, including any surface finish. Do not stretch the strip.

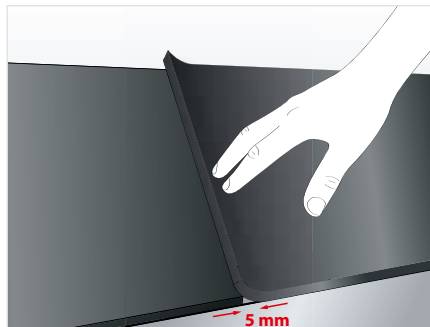
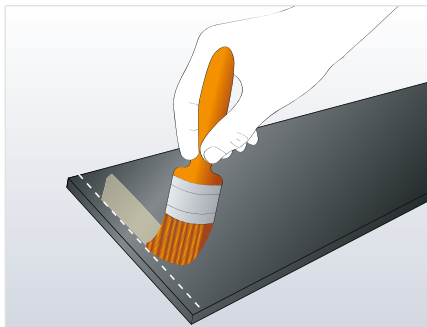


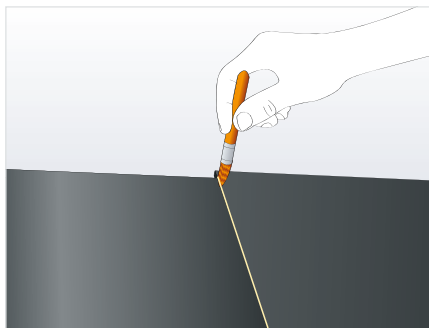
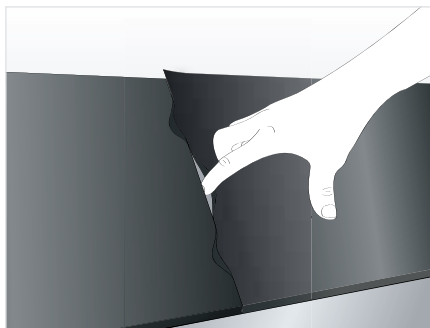
ADHESION

Apply Armaflex adhesive first to the insulation before applying adhesive to the metal surface.

All seams are joined wet. Leave about 30 mm without an adhesive coating on the Armaflex surface. Attach the connecting sheet with adhesive and with 5 mm overlap. Then press in the overlapping butt joint to give additional compression.

Wet sealing of joints on flat surfaces:





MULTI-LAYER APPLICATION

Where multi-layer insulation is installed use Armaflex cleaner after 36 hours (see “Multi-layer insulation of pipework” on page 20) to remove any talc, chalk, dirt, grease and moisture from the surfaces to be joined. Stagger all seams and butt joints on the second layer relative to the first layer.

COMPLEX SHAPES

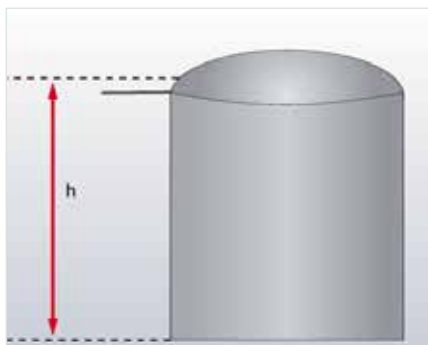
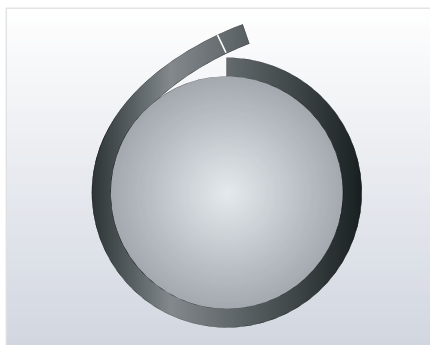
Where complex shapes are to be insulated, the shape of the body is outlined with chalk and these chalk markings can be transferred directly to the Armaflex sheet by pressing the flexible material against the metal surface. Cut along the chalked line with a sharp knife to obtain a good fit for the Armaflex.

OUTDOOR INSTALLATIONS

All Armaflex materials (except HT/Armaflex) used outdoors will require additional protection against UV radiation. We recommend the use of Armafinish FR paint or one of the Arma-Chek Systems (see “Outdoor use of Armaflex” on page 11).

HT/Armaflex insulation does not require painting when used outdoors.

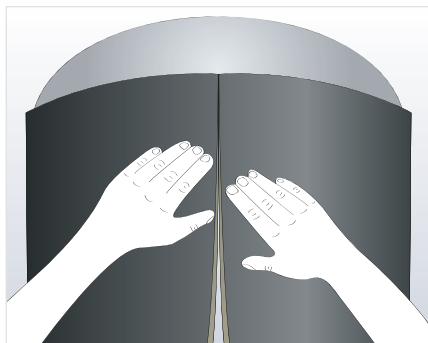
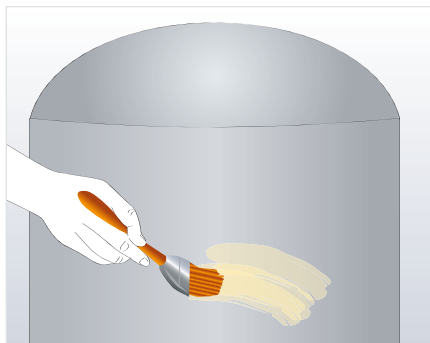
Insulating small ($\varnothing < 1.5 \text{ m}$) tanks and vessels using Armaflex sheet



1. Determine the circumference of the tank.

Important: Always measure with a strip of Armaflex of the thickness to be used for the insulation.

Warning: Do not stretch the strip.



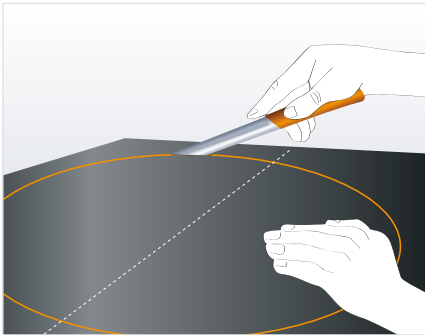
2. Transfer the circumference to the Armaflex sheet and cut to the required size. Spread a thin film of adhesive onto the Armaflex sheet and then onto the metal surface. When the adhesive is tack dry (finger-nail test) place Armaflex sheet in position and press firmly to achieve a good bond. Thereby fix the first Armaflex sheet about 50 mm above the tangent line.



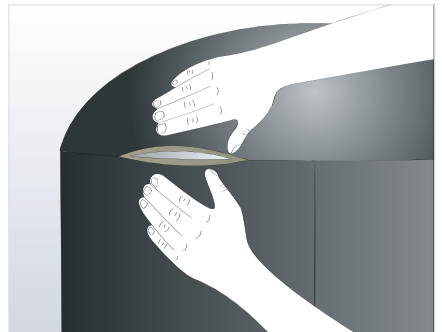
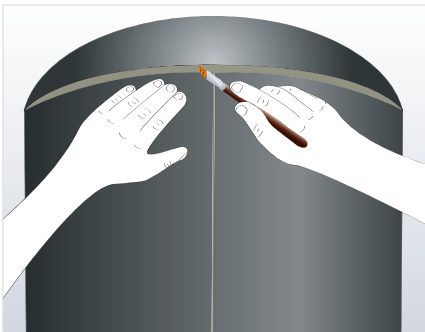
- Determine the curve length of the domed surface.

Important: Always measure with a strip of Armaflex of the thickness to be used for the insulation.

Warning: Do not stretch the strip.

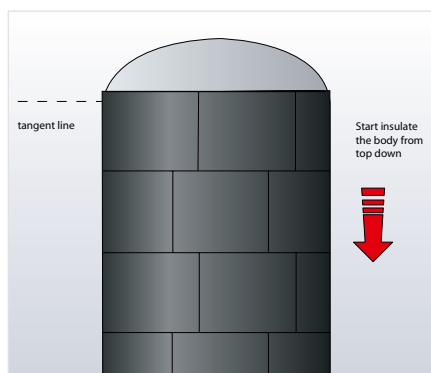


- Using the curve length as the diameter, mark a complete disc on a piece of Armaflex sheet. If this disc is too large to fit on a single sheet of Armaflex first glue multiple sheets together.
- Cut around the disc.
- Spread a thin film of adhesive onto the back of the Armaflex sheet and then onto the metal surface.



7. When the adhesive is tack dry (fingernail test) place Armaflex sheet in position onto the top of the tank and press firmly down from the centre, avoiding any slipping of the material, to achieve a good bond.
8. Apply an additional wet seal along the edges at the top of the tank.
9. After the adhesive has been given time to tack dry, press the edges of the seam firmly together.

Key basic application procedures for large vessels $\varnothing > 1.5 \text{ m}$



Install the Armaflex sheet panels from the domed end section of the vessel as shown. Use all-over adhesive coverage to both surfaces.

Continue to install the panels of Armaflex around this domed end section. Ensure the Armaflex sheet is fitted under compression. After the first ring of panels are installed, continue to apply other panels of Armaflex sheet around the body of the vessel as shown.

When the entire surface area of the vessel body is completed, insulate the dome ends as shown.



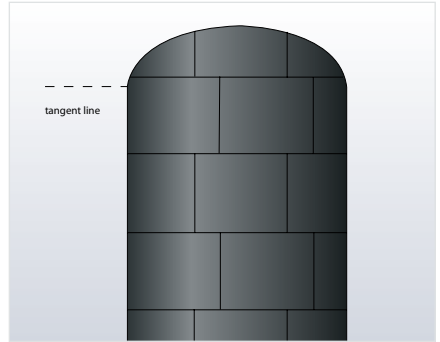
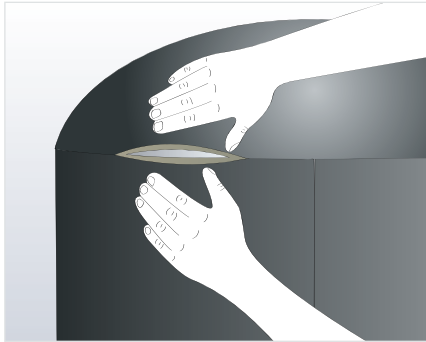
To determine the exact shape of the edge sheets, mark the edges of the Armaflex used to insulate the vessel body with white chalk.

For the edges of the domed end section, cut sheets roughly to size with an overlap of approx. 50 mm. Place sheets over the chalked edges and apply firm pressure and remove. The underside of the Armaflex sheet will show the impression of the required profile.

Cut the marked outline with a shape knife and install directly to the appropriate section with all-over adhesive coverage.

Note: Do not apply adhesive to the circular profile edges of the domed end. This is done last by wet sealing the jointing details as described below.

Continue to install the required insulation panels as required to complete the domed section.



To finish, wet seal the domed panels to the main insulated body sections as shown in the section relating to vessels with diameters smaller than 1.5 m.

Additional application advice

The following sections contain further detailed information for specific applications.

Armaflex with additional metal cladding

Sometimes an additional metal cladding is needed to protect Armaflex against mechanical damage and, in outdoor applications, UV radiation.

If such cladding is used, it is necessary to bear in mind that the metal cladding may influence the insulation thickness required. In particular the altered surface emissivity will have an impact on the surface coefficient of heat transfer to be used in calculations.

It is considered best practice to install the metal cladding directly onto the Armaflex leaving no air gap. Since fixing screws will be directly inserted into the Armaflex, thermal bridges will be created and the insulation wall thickness may need to be increased to compensate for this.

Alternatively, the cladding can also be installed with an air gap (minimum 15 mm) by using strips of Armaflex as spacers. In addition, holes with a diameter of 10 mm should be drilled in the underside of the cladding at least every 300 mm.

Note: It is important to ensure that condensation does not occur within this air layer or on the surface of the aluminium cladding. Always pay careful attention to the changing surface coefficient of heat transfer as this can seriously impact upon the insulation thickness requirement.

Armaflex installed in the soil

Pressure of soil backfilled on top of the Armaflex will cause compression of the material, which will have an impact on the insulation wall thickness.

It is recommended that Armaflex is protected against compression by sleeving the insulated pipe into a rigid soil or waste water drainage pipe.

1. Prevent compression of flexible cellular material due to contact with the outer protective pipe by selecting a drainpipe which is sufficiently larger than the outer diameter of the insulated pipe assembly to be inserted.

2. Ensure the outer protective pipe is fully supported, e. g. by having full contact with the surrounding soil, to prevent the drainpipe breaking. Joints and connections are particularly vulnerable.

Installation of Armaflex insulation on plastic pipes

Armaflex insulation materials and Armaflex Adhesive 520 and HT 625 are compatible with most plastic pipe materials which are used for industrial and building service equipment. On pipes made of PVC-C, PE-Xa and PE-HD plastics, Armaflex can simply be installed in the same way as on metal pipes.

However, when bonding Armaflex to polypropylene (PP) pipes, it is necessary to bear in mind that the adhesion of the material is not optimal. Therefore, to improve the bond, Armacell recommends first roughening the plastic where the partition bonding is to be carried out.

When Armaflex is glued to ABS pipes, solvent from the Armaflex adhesive may be trapped. During the aging process of the ABS plastic, this can lead to hair cracks in the pipes. Direct partition bonds should therefore not be used on ABS pipes. However, it is possible to first apply self-adhesive Armaflex Tape where the partition is to be created and then carry out partition bonding. In contrast, this is not necessary when the longitudinal seams are glued. Here it can be assumed that if the work is carried out correctly, the solvent present in the applied adhesive will have evaporated before the insulation is glued together.

Compatibility of Armaflex and Armaflex adhesive with plastic pipes

Plastic pipe	Compatibility	Remarks
PVC-C	yes	-
PE-Xa	yes	-
PE-HD	yes	-
PP	yes	To improve bonding - e.g. where partition bonds are to be carried out - first roughen the plastic
ABS	yes	In the case of partition bonding, first apply self-adhesive Armaflex Tape where the partition is to be created, then carry out partition bonding. Note: For Durapipe ABS pipes at medium temperatures greater than 30 °C the use of HT/Armaflex or NH/Armaflex should be considered.

References

In addition to this manual, Armacell provides the following documents, free of charge. Please ask our Customer Service Center.

INSULATION OF STAINLESS STEEL WITH ARMAFLEX

CORROSION PROTECTION IN THERMAL AND REFRIGERATION INSULATION ON TECHNICAL OPERATING SYSTEMS

ARMAFLEX COLD WORK APPLICATION GUIDANCE

Insulating cold lines with temperatures between $-50\text{ }^{\circ}\text{C}$ to $-196\text{ }^{\circ}\text{C}$.

GLUING ARMAFLEX ONTO CELLULAR GLASS

Installation advice when installing Armaflex directly onto a cellular glass surface.

OTHER APPLICATION GUIDES

- Application Guide for Arma-Chek products
- Special Application Advice for HT/Armaflex
- Application of Armaflex DuoSolar VA
- Application guide for ArmaSound Industrial Systems
- Application videos

Calculation tools

ARMWIN

Armwin is the technical calculation program to determine insulation thicknesses required to prevent surface condensation and limit energy losses.

It also allows users to calculate U-values, heat flows and temperature changes for pipes, ducts and tanks.

keytec. ISO 15665

Determine the right ArmaSound Industrial Systems

Armaflex products

AF/ARMAFLEX

AF/Armaflex is a reliable flexible insulation material with a long term performance in condensation control. This is achieved thanks to the unique combination of extremely low thermal conductivity and a high water vapour diffusion resistance. The additional advantages are a longer life-time expectancy and higher energy efficiency of the insulated installation. This results in additional energy cost savings during the service life of the equipment. Due to the unique microcell structure, the new AF/Armaflex has more stability, making it even easier to install. Your advantage: the quicker and easier installation saves even more time and money.

SH/ARMAFLEX

SH/Armaflex is a flexible elastomeric insulation material which optimises the performance of heating and plumbing installations. The supervised technical properties and new microcell structure offer multiple benefits

HT/ARMAFLEX

Naturally UV-resistant, closed-cell, EPDM rubber-based Armaflex insulation material capable of operating at line temperatures up to 150 °C.

NH/ARMAFLEX

Halogen-free, closed-cell, nitrile rubber-based Armaflex insulation material with a low smoke toxicity rating. Achieves a number of maritime fire performance certificates.

ARMAFLEX ULTIMA

Flexible elastomeric foam on the basis of a patented synthetic rubber composition with improved fire-retardant properties, low smoke generation and a closed-cell material structure. For use in HVAC, refrigeration and process equipment applications.

ARMAFLEX DUOSOLAR

Parallel stainless-steel or copper pipes pre-insulated with naturally UV-resistant, closed-cell, EPDM rubber-based Armaflex insulation. Insulation

comes with a tough black covering pre-applied. Designed to withstand the temperatures associated with solar hot-water systems.

ARMAFIX PIPE SUPPORT

Armaflex sections with load bearing PUR/PIR inserts and an aluminium outer cladding to prevent excessive material compression.

ARMAFLEX ACCESSORIES

Armaflex Adhesive 520,RS850, SF990 and Armaflex Ultima 700, RS850, SF990 for adhering nitrile rubber-based Armaflex materials and Armaflex Adhesive 625 for adhering EPDM-based Armaflex materials.

Armafinish 99 paint for visual impact and to prevent damage from UV exposure when Armaflex is used outside.

Armacell GmbH

Robert-Bosch-Straße 10 · 48153 Münster

Telefon +49 (0) 251 / 76 03-0 · Telefax +49 (0) 251 / 76 03-448

www.armacell.com · info@armacell.com

Armacell provides this information as a technical service. To the extent the information is derived from sources other than Armacell, Armacell is substantially, if not wholly, relying upon the other source(s) to provide accurate information. Information provided as a result of Armacell's own technical analysis and testing is accurate to the extent of our knowledge and ability, as of date of printing, using effective standardized methods and procedures. Each user of these products, or information, should perform their own tests to determine the safety, fitness and suitability of the products, or combination of products, for any foreseeable purposes, applications and uses by the user and by any third party to which the user may convey the products. Since Armacell cannot control the end use of this product, Armacell does not guarantee that the user will obtain the same results as published in this document. The data and information are provided as a technical service and are subject to change without notice.